

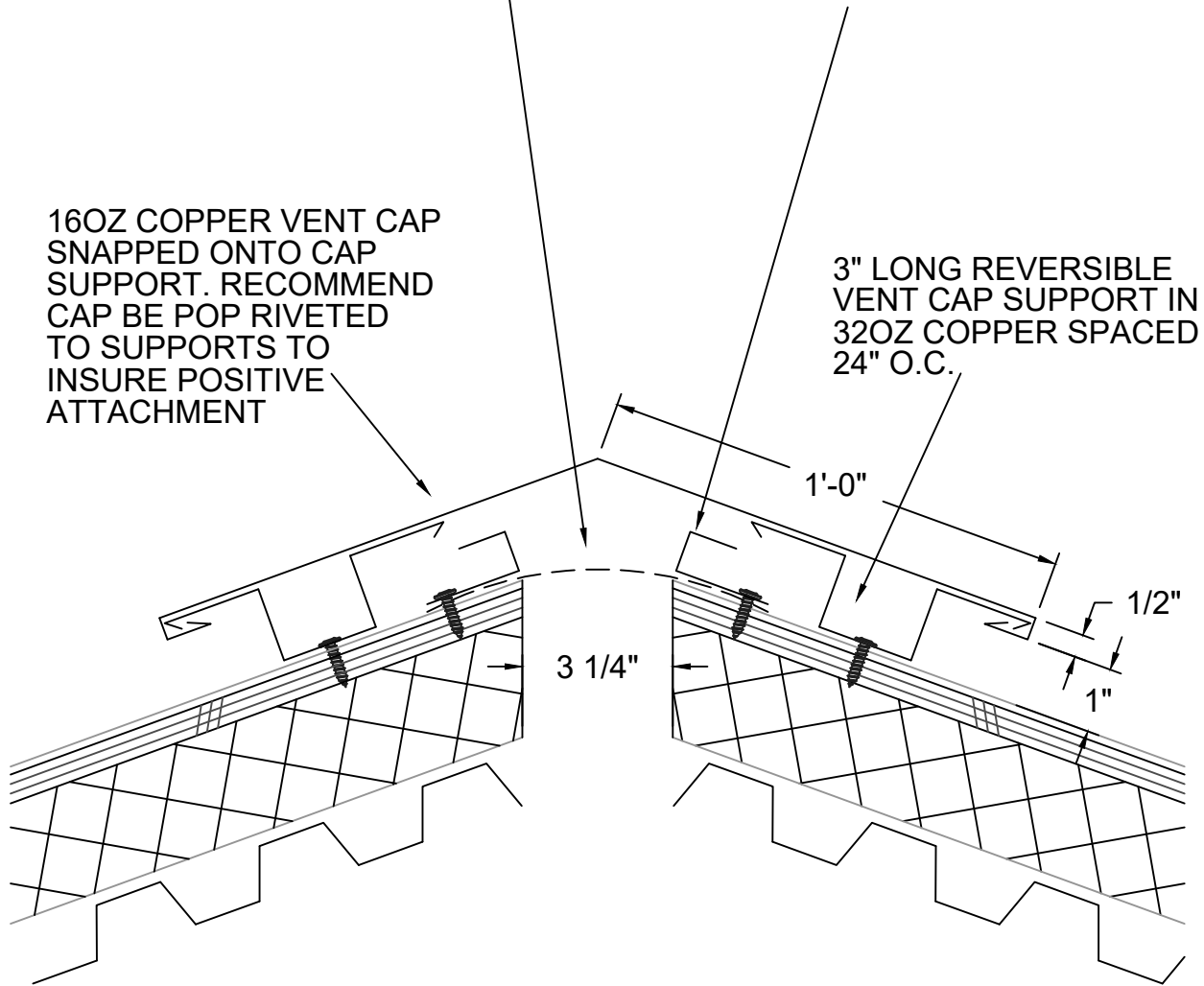
# RIDGE VENT CAP SECTION

STAINLESS STEEL BUG SCREEN (INCLUDED)

16OZ COPPER CONTINUOUS WATER STOP FASTENED TO STRUCTURE. (REQUIRED ON SLOPES 10 IN 12 AND LESS)

16OZ COPPER VENT CAP SNAPPED ONTO CAP SUPPORT. RECOMMEND CAP BE POP RIVETED TO SUPPORTS TO INSURE POSITIVE ATTACHMENT

3" LONG REVERSIBLE VENT CAP SUPPORT IN 32OZ COPPER SPACED 24" O.C.



VENT CAP SYSTEM

FREE AREA: 15 SQ. IN. PER FT

REV. '24