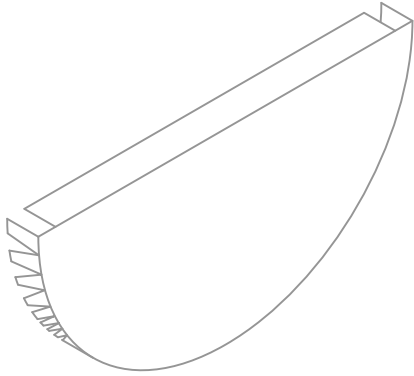
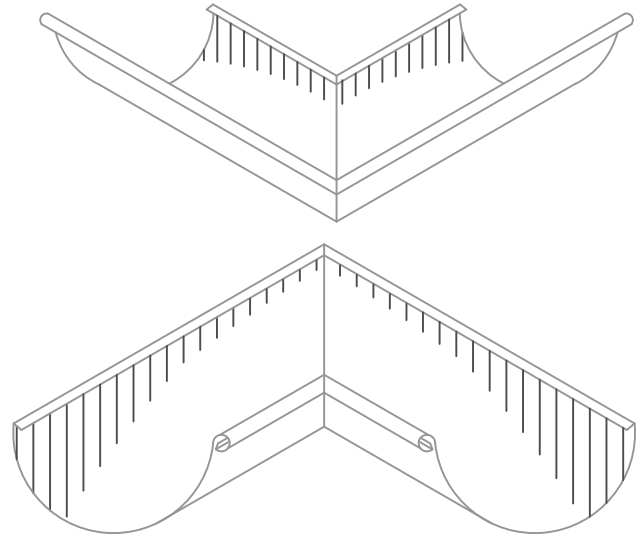


HALF ROUND ACCESSORIES

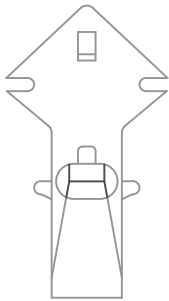
ENDCAPS 5",6",7",8"



INSIDE/ OUTSIDE MITER 5",6",7",8"



CAST HALF ROUND HANGERS 5",6"



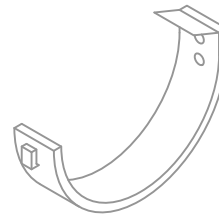
FRONT VIEW



SIDE VIEW

AVAILABLE IN BRASS OR ALUMINUM

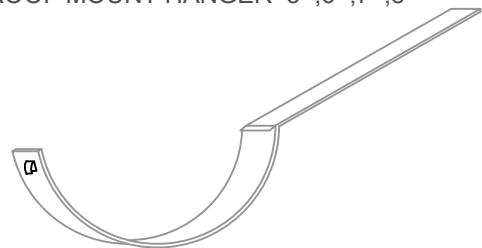
FACE MOUNT HANGER 5",6",7",8"*



*SEE ISOMETRIC DRAWINGS

AVAILABLE WITH EITHER A BRASS BOLT OR SPRING CLIP TO ATTACH TO GUTTER

ROOF MOUNT HANGER 5",6",7",8"*



AVAILABLE WITH EITHER A 10/24 MACHINE BOLT OR SPRING CLIP TO ATTACH TO GUTTER

AVAILABLE MATERIALS

COPPER FREEDOM GRAY COPPER PAINT GRIP STEEL
 PREFINISHED ALUMINUM/ STEEL GALVALUME PREWEATHERED ZINC

REV. '24

* ALL HEAVY GAUGE. USE 12 GA BAR WITH PAINT GRIP.

USE 3/16" X 1" BAR WITH ALUMINUM, ZINC/ TIN COATED COPPER, AND COPPER.

IN AREAS SUBJECT TO SNOW SLIDE, COORDINATE THE FRONT EDGE ELEVATION OF GUTTERS WITH ROOF SLOPE LINE.