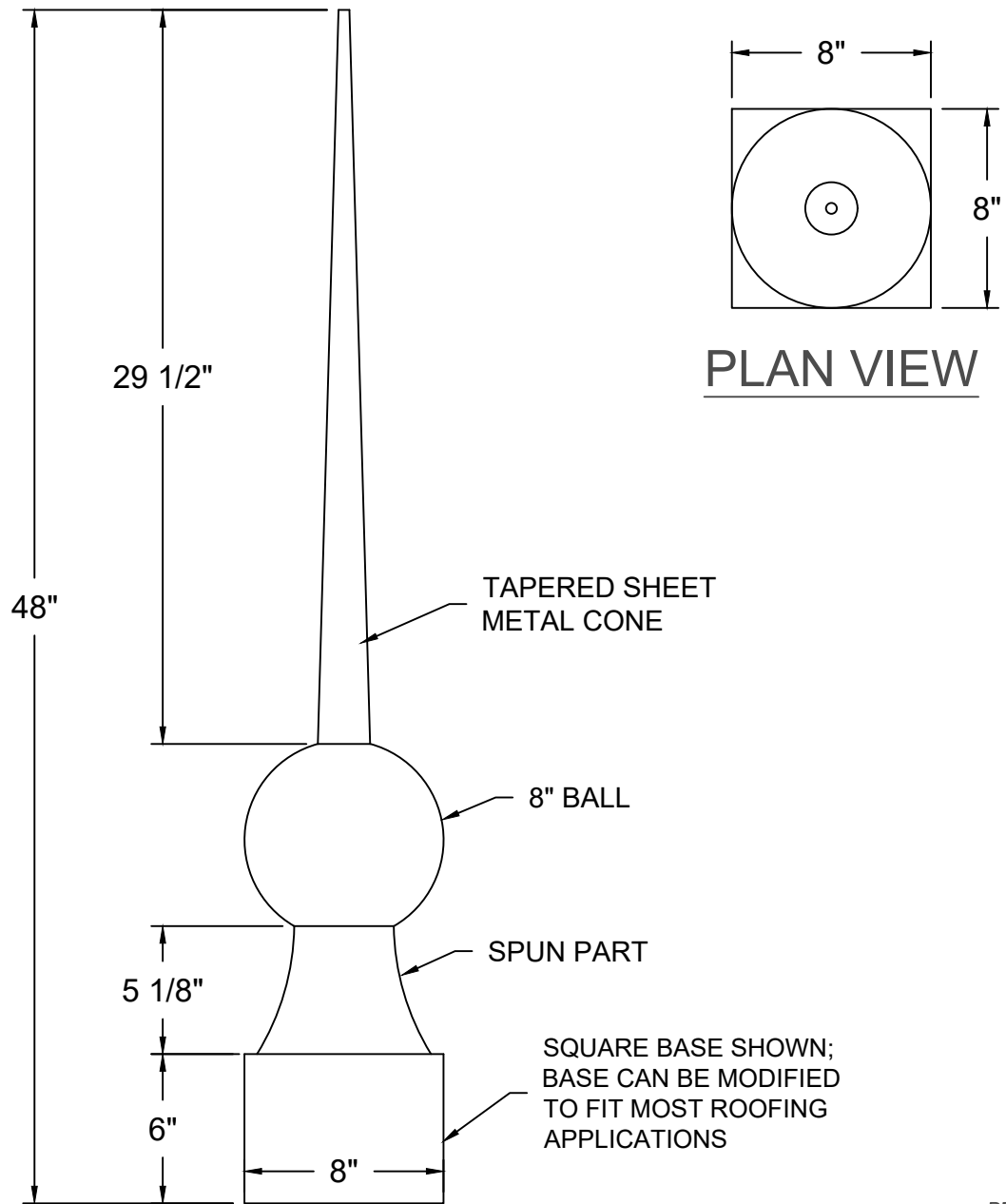


SPIRE THE WATERFORD



REV. '24

AVAILABLE MATERIALS:	MILL FINISH/ POST PAINTED ALUMINUM	PAINT GRIP STEEL
COPPER	FREEDOM GRAY COPPER	PREWEATHERED ZINC

WEIGHT: VARIES DEPENDING ON ROOF CONDITION, ROOF SLOPE AND MATERIAL

OTHER: 3/4" DIAMETER PIPE EXTENDS 12" PAST SPIRE
AVAILABLE WITH OTHER BASE OPTIONS FOR VARIOUS ROOF CONDITIONS.
PROVIDE ROOF SLOPE.

INSTALLATION: SEAL THE MOUNTING BRACKET (PROVIDED) TO THE ROOF SURFACE FOR A WATERTIGHT INSTALLATION. SET SPIRE BASE OVER MOUNTING BRACKET AND ATTACH USING FASTENERS PROVIDED. SPECIFY ROOF SLOPE FOR BRACKETS. FASTEN PIPE TO STRUCTURE.

OPTIONS: AVAILABLE WITH LIGHTNING PROTECTION KIT. CONTINUE L.P. SYSTEM AS PER LOCAL CODE BY QUALIFIED LIGHTNING PROTECTION INSTALLERS.