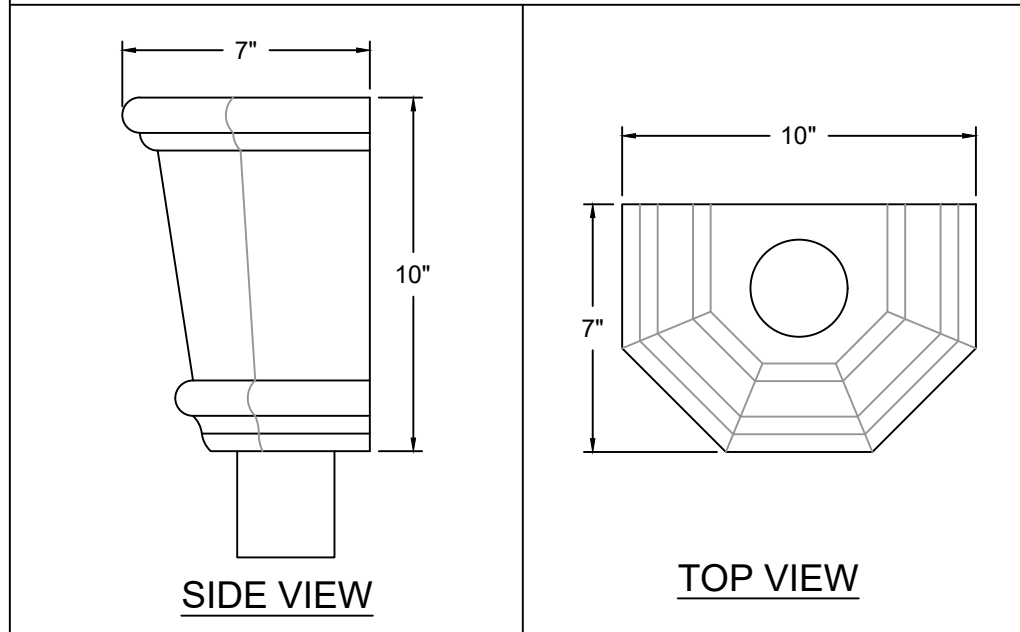
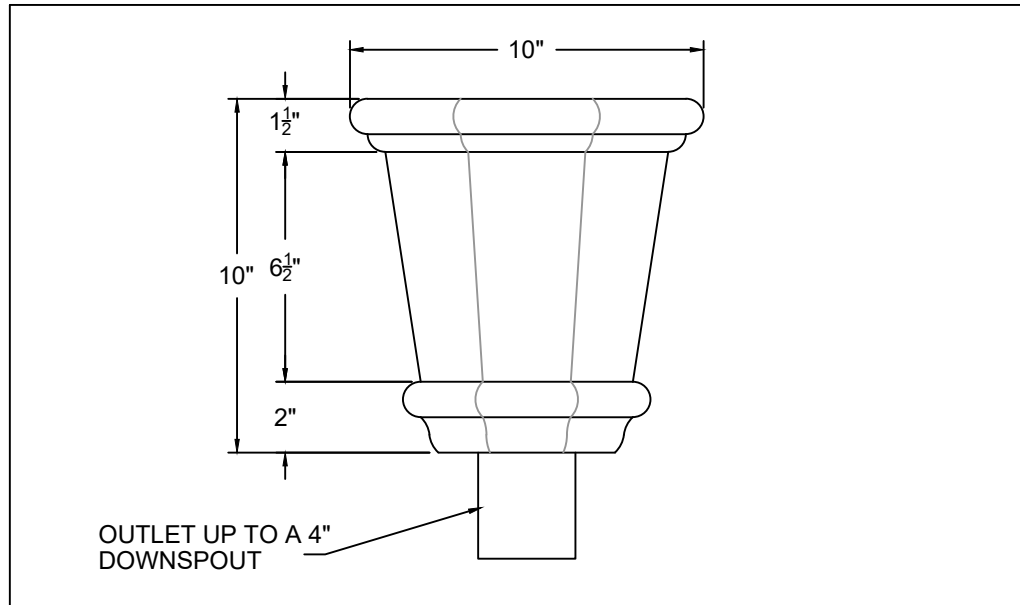


# CONDUCTOR HEADS THE WARWICK



AVAILABLE MATERIALS

COPPER    FREEDOM GRAY COPPER    PAINT GRIP STEEL    PREWEATHERED ZINC  
MILL FINISHED ALUMINUM    GALVANIZED

REV. '24