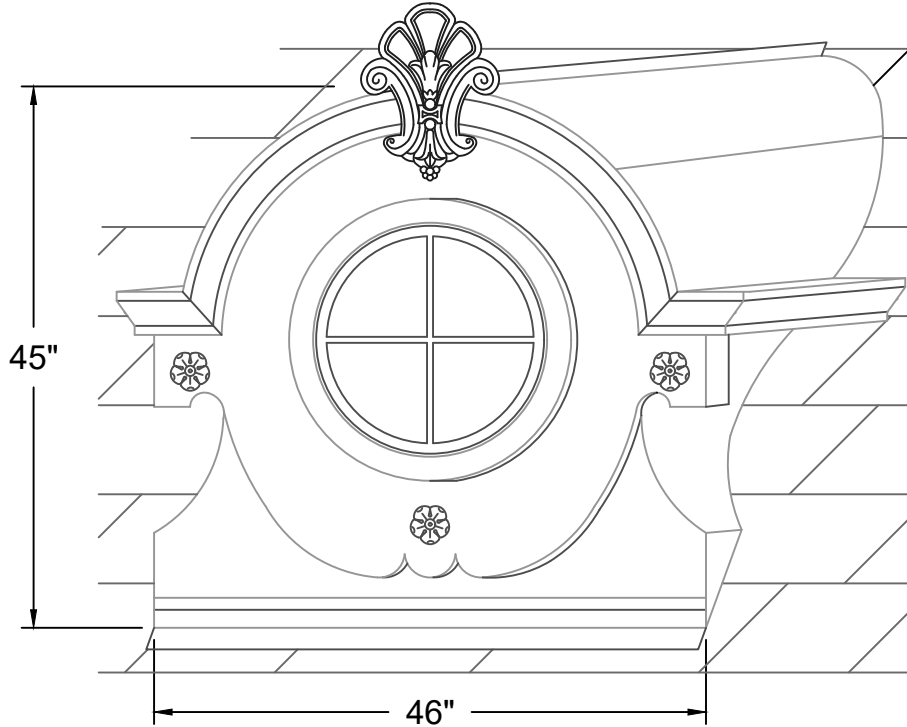
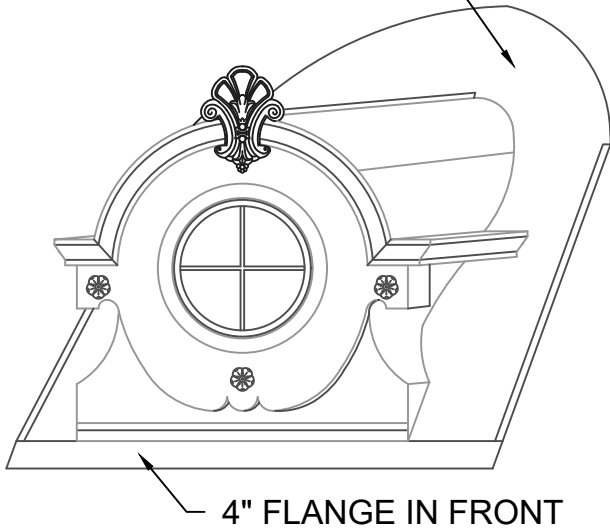


WINDOW DORMER VERSAILLES

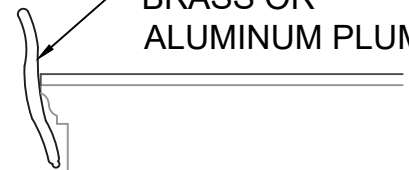


12" FLANGE SOLDERED
WATERTIGHT

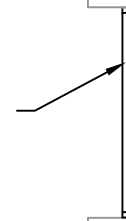


4" FLANGE IN FRONT

11 1/2" X 15" CAST
BRASS OR
ALUMINUM PLUME



19 1/2" DIA.
WINDOW



ROOF PITCH

3 1/4" CAST
ROSETTE



LOUVER FREE AREA:
85 SQ.IN.

AVAILABLE MATERIALS:

COPPER

FREEDOM GRAY COPPER

PREWEATHERED ZINC

PAINT GRIP STEEL

REV. '24

INSTALLATION:

MARK OPENING IN ROOF DECK ON DESIRED COURSE. CUT OPENING IN DECK. POSITION DORMER OVER OPENING AND FASTEN TO DECK.

OTHER INFORMATION:

SPECIFY EXACT ROOF PITCH.

OTHER:

GLASS IS 1/4" TEMPERED IN CLEAR. AVAILABLE WITH LOUVERS. SPECIFY IF RECEIVING INTERIOR FINISH OUT. INSULATION AND DRYWALL BY OTHERS AS GLASS WOULD BE 5/8 INSULATED IN CLEAR.