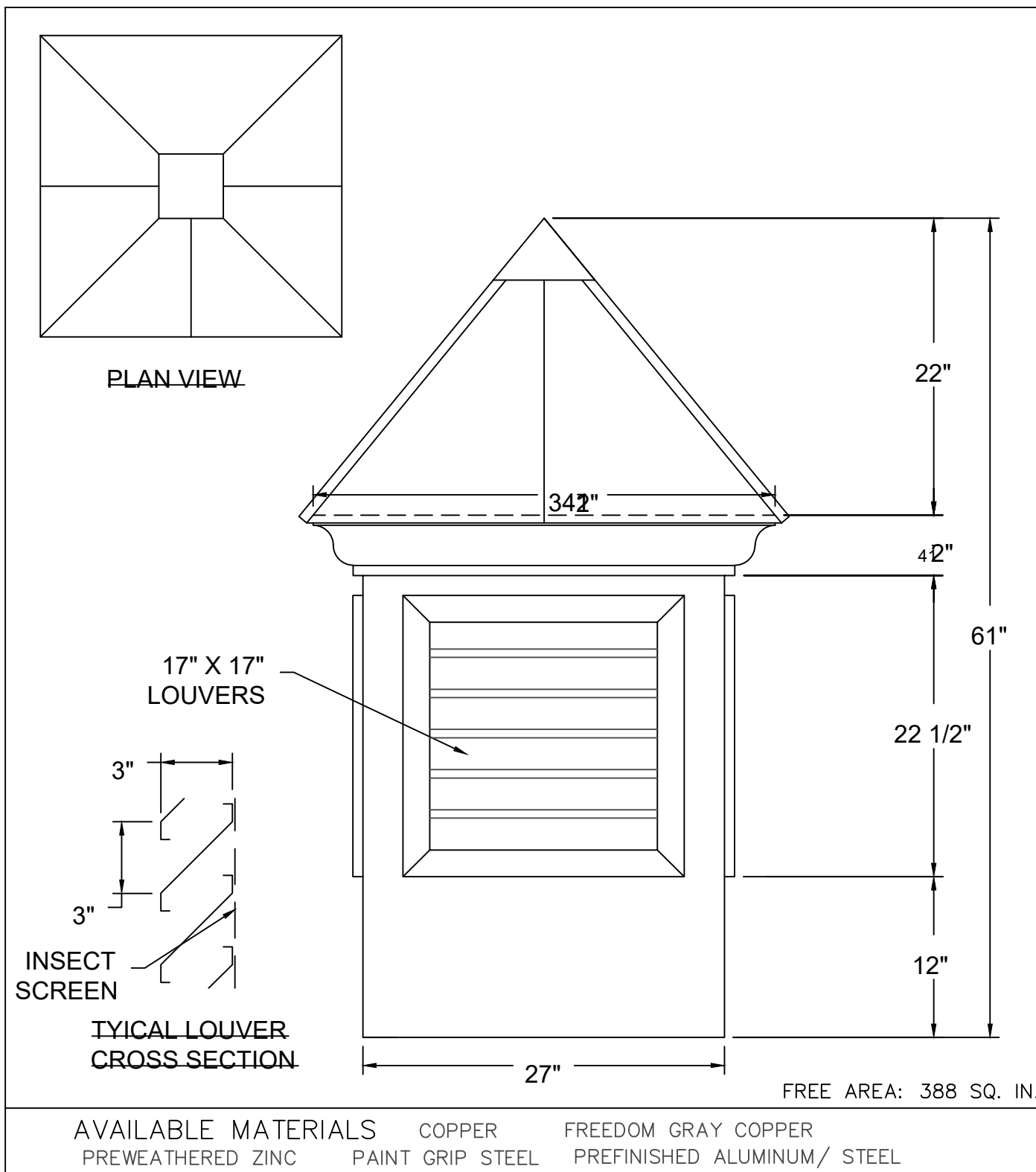


CUPOLA RANKIN



WEIGHT: VARIES DEPENDING ON ROOF CONDITION, ROOF SLOPE AND MATERIAL

INSTALLATION: 1. FRAME CURB ON ROOF DECK. 2. BUTT LAST ROOF COURSE TO CURB.
 3. INSTALL BASE FLASHING INCLUDED (SOME FIELD CUTTING REQUIRED).
 4. SET CUPOLA OVER CURB. 5. ATTACH CUPOLA USING FASTENERS PROVIDED.

OTHER: AVAILABLE WITH WINDOWS OR LOUVERS.
 INCLUDES INSECT SCREEN OF COMPATIBLE MATERIAL ON LOUVER MODEL.