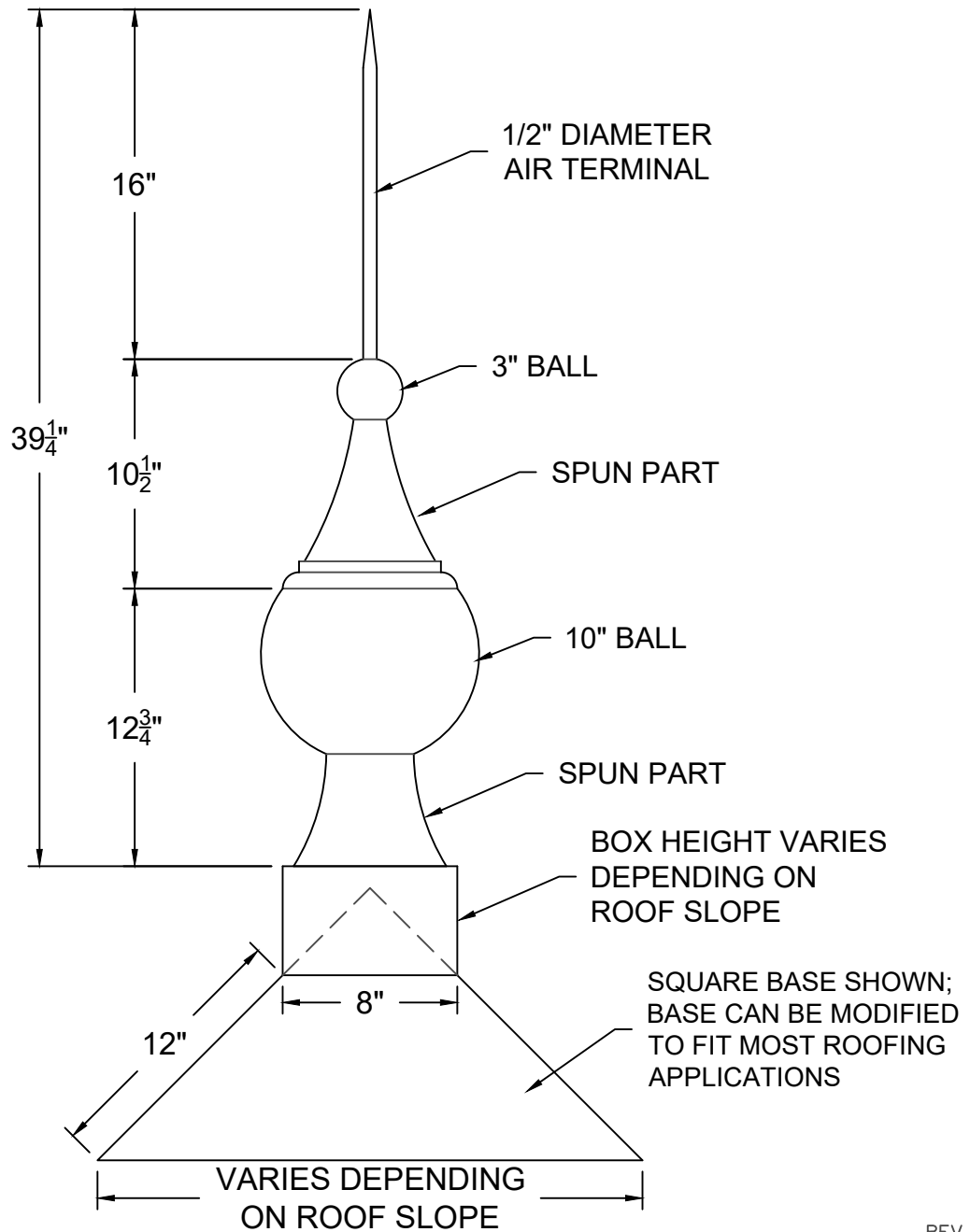


# SPIRE THE NEWARK



REV. '24

## AVAILABLE MATERIALS:

COPPER

FREEDOM GRAY COPPER

MILL FINISH/ POST PAINTED ALUMINUM

WEIGHT: VARIES DEPENDING ON ROOF CONDITION, ROOF SLOPE AND MATERIAL

OTHER: AVAILABLE WITH OTHER BASE OPTIONS FOR VARIOUS ROOF CONDITIONS. PROVIDE ROOF SLOPE.

INSTALLATION: FASTEN THROUGH 12" ROOF FLANGE WITH FASTENERS PROVIDED. SEAL WITH SEALANT FOR A WATERTIGHT INSTALLATION.

OPTIONS: AVAILABLE WITH LIGHTNING PROTECTION KIT. CONTINUE L.P. SYSTEM AS PER LOCAL CODE BY QUALIFIED LIGHTNING PROTECTION INSTALLERS.

**copper  
craft**  
A FLACK GLOBAL METALS COMPANY