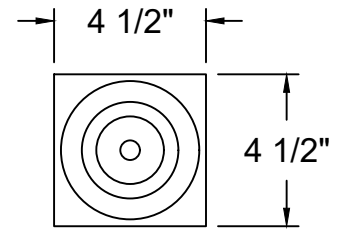
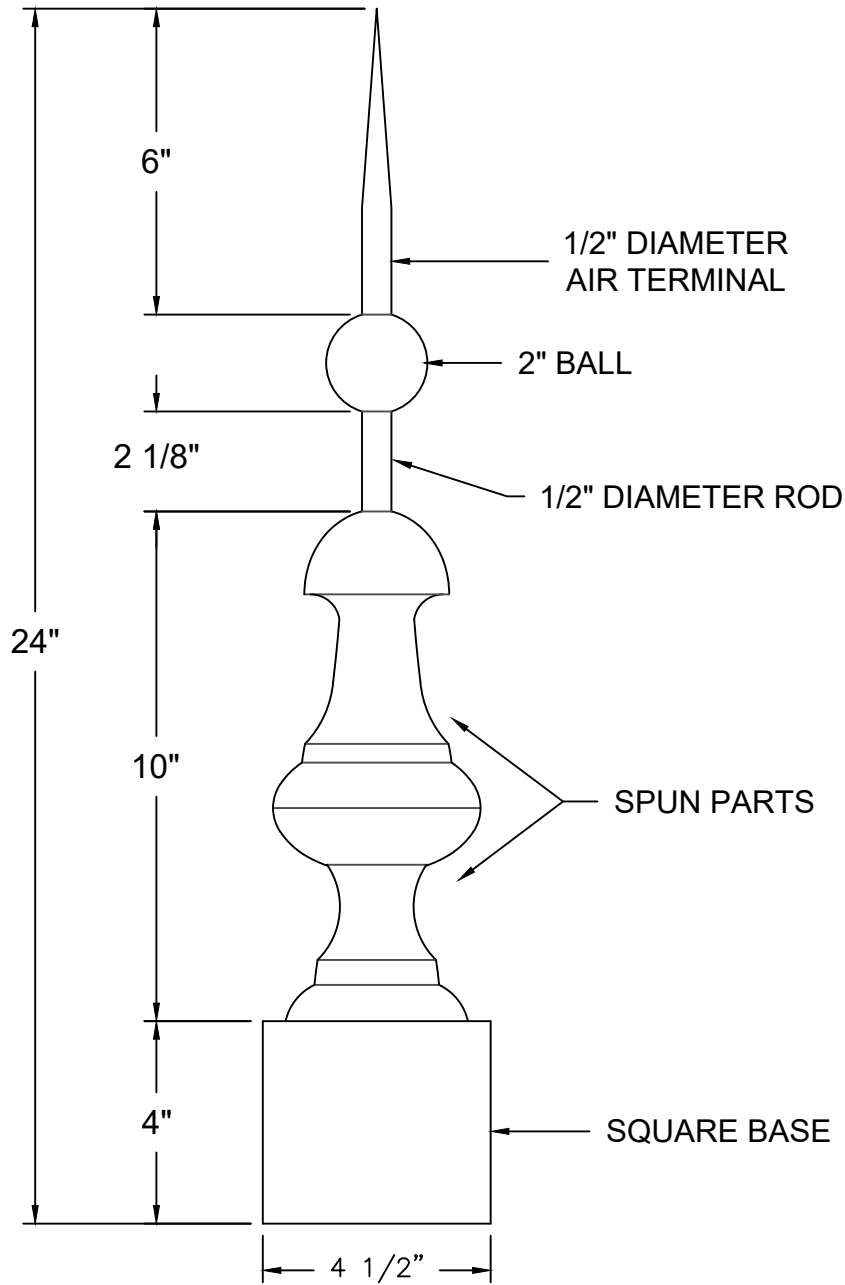


SPIRE THE MINI VASE



PLAN VIEW

REV. '24

AVAILABLE MATERIALS:

COPPER

FREEDOM GRAY COPPER

MILL FINISH/ POST PAINTED ALUMINUM

WEIGHT: VARIES DEPENDING ON ROOF CONDITION, ROOF SLOPE AND MATERIAL

INSTALLATION: SEAL THE MOUNTING BRACKET (PROVIDED) TO THE ROOF SURFACE FOR A WATERTIGHT INSTALLATION. SET SPIRE BASE OVER MOUNTING BRACKET AND ATTACH USING FASTENERS PROVIDED. SPECIFY ROOF SLOPE FOR BRACKETS.

OTHER: AVAILABLE WITH OTHER BASE OPTIONS FOR VARIOUS ROOF CONDITIONS. PROVIDE ROOF SLOPE.

OPTIONS: AVAILABLE WITH LIGHTNING PROTECTION KIT. CONTINUE L.P. SYSTEM AS PER LOCAL CODE BY QUALIFIED LIGHTNING PROTECTION INSTALLERS.

**copper
craft**
A FLACK GLOBAL METALS COMPANY