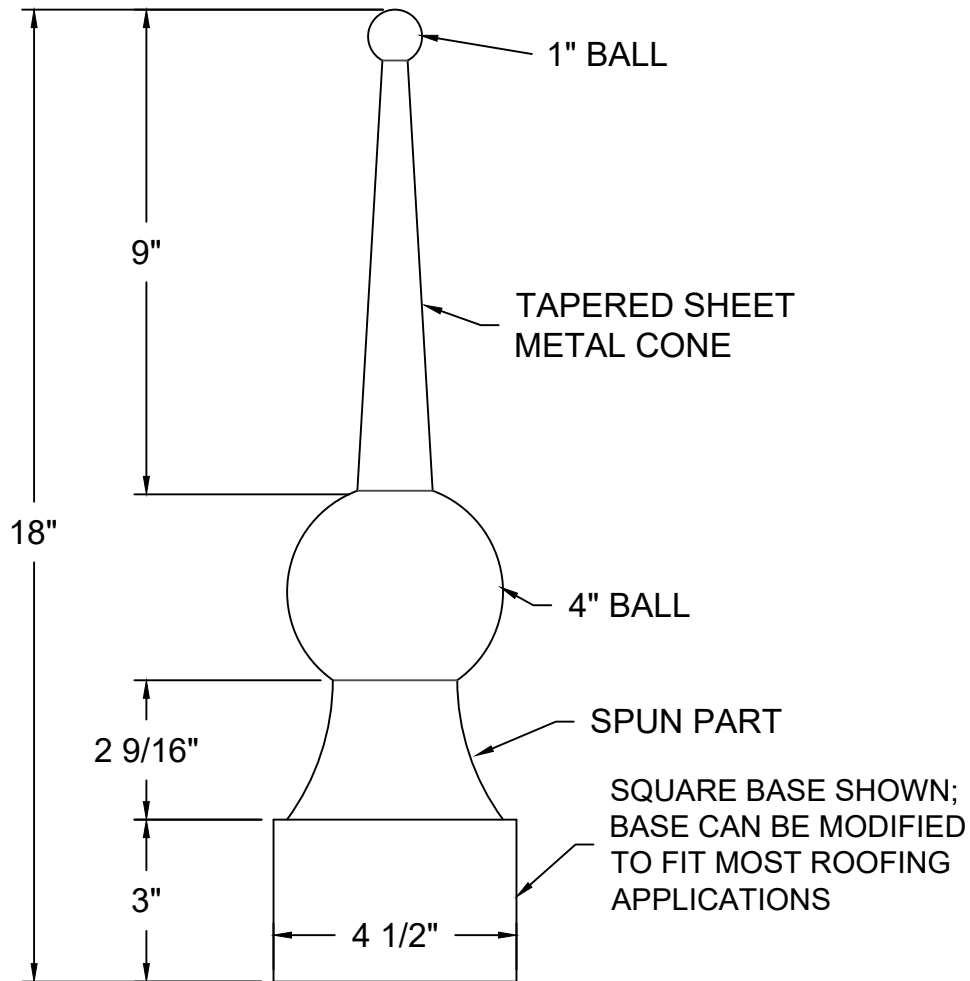


# SPIRE

## THE MINI CAPE COD



REV. '24

AVAILABLE MATERIALS: POST PAINTED ALUMINUM MILL FINISHED ALUMINUM  
 COPPER FREEDOM GRAY COPPER PREWEATHERED ZINC

- WEIGHT: VARIES DEPENDING ON ROOF CONDITION, ROOF SLOPE AND MATERIAL
- INSTALLATION: SEAL THE MOUNTING BRACKET (PROVIDED) TO THE ROOF SURFACE FOR A WATERTIGHT INSTALLATION. SET SPIRE BASE OVER MOUNTING BRACKET AND ATTACH USING FASTENERS PROVIDED. SPECIFY ROOF SLOPE FOR BRACKETS.
- OTHER: AVAILABLE WITH OTHER BASE OPTIONS FOR VARIOUS ROOF CONDITIONS. PROVIDE ROOF SLOPE.
- OPTIONS: AVAILABLE WITH LIGHTNING PROTECTION KIT. CONTINUE L.P. SYSTEM AS PER LOCAL CODE BY QUALIFIED LIGHTNING PROTECTION INSTALLERS.