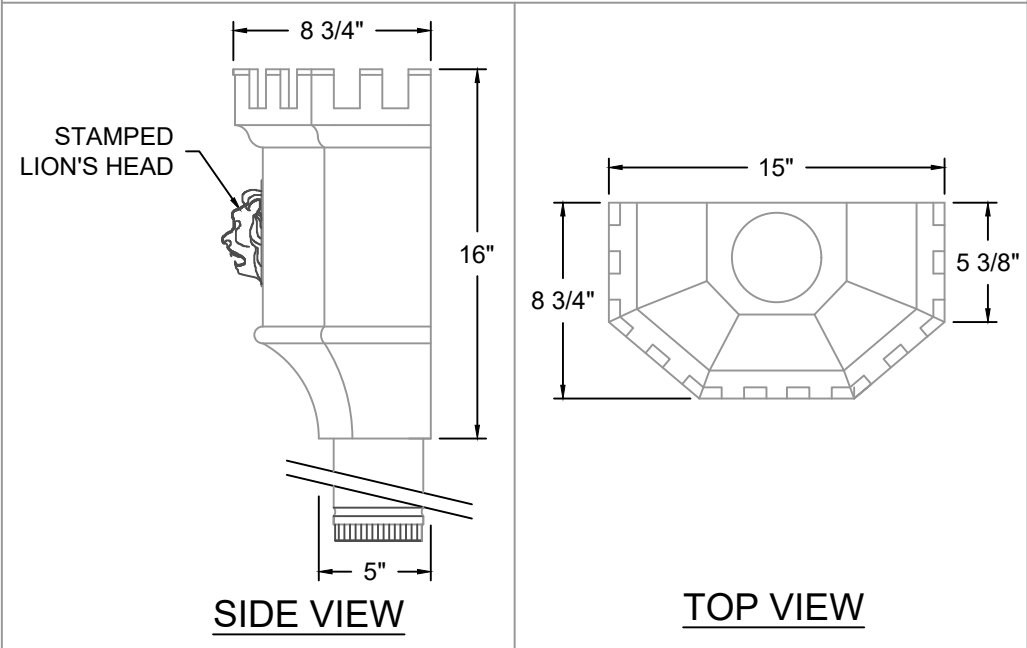
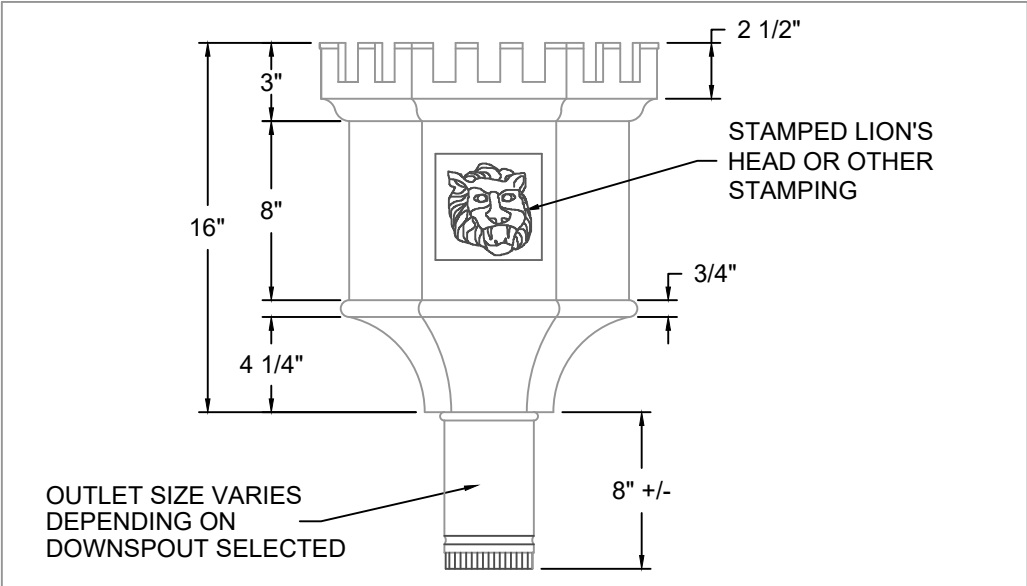


# CONDUCTOR HEADS

## THE MEDIEVAL



AVAILABLE MATERIALS GALVANIZED  
 COPPER FREEDOM GRAY COPPER PREWEATHERED ZINC PAINT GRIP STEEL

REV. '24