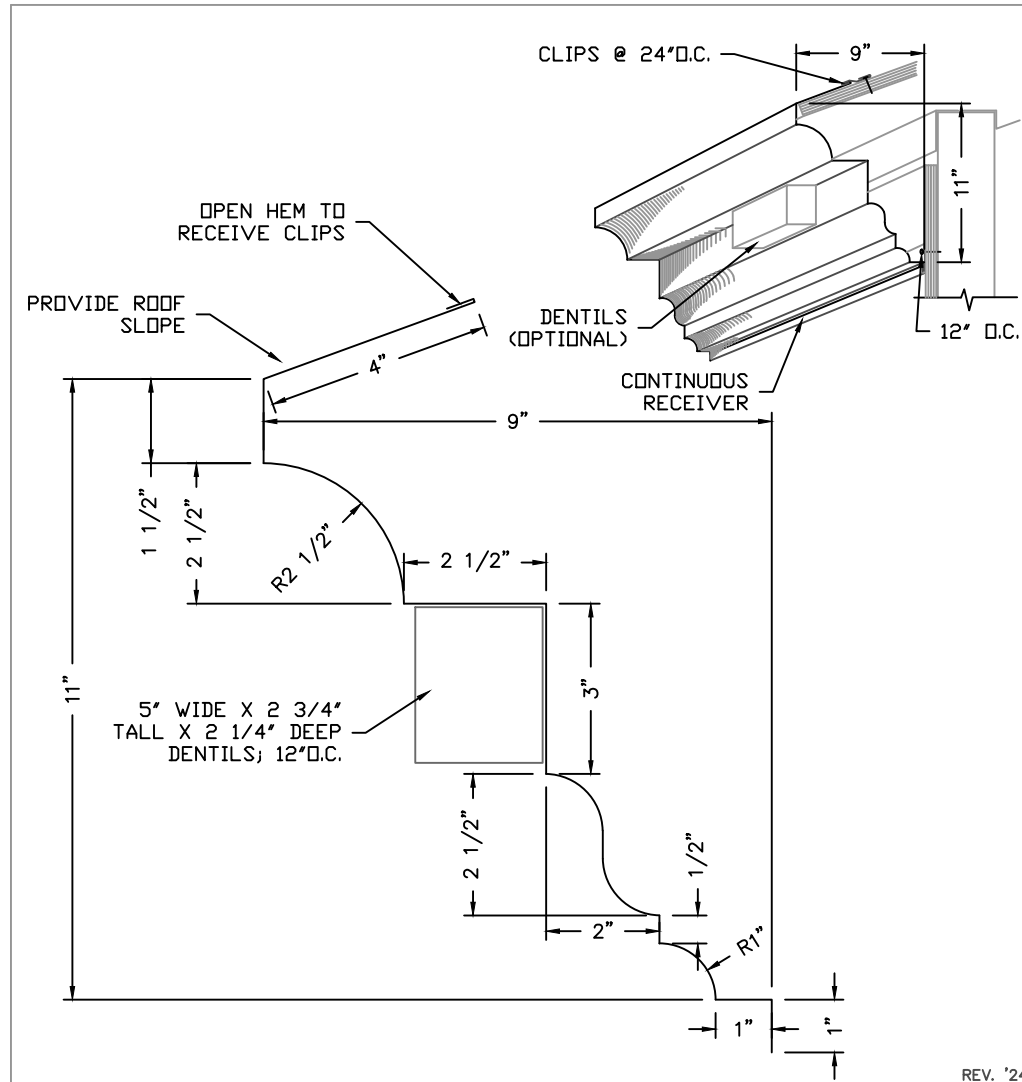


CORNICE THE LEXINGTON



REV. '24

AVAILABLE MATERIALS: PREWEATHERED ZINC PREFINISHED ALUMINUM
 COPPER FREEDOM GRAY COPPER PAINT GRIP STEEL

DIMENSIONS: 10 FOOT LONG. (SEE DRAWING FOR PROFILE DIMENSION & FRAMING)
 INSTALLATION: SET UNIT IN BOTTOM RECEIVER AS SHOWN. FASTEN TOP TO ROOF
 USING CLIPS AT 24" O.C. OVERHANG TOLERANCE 7 1/2" TO 9".
 ORDER INFORMATION: AVAILABLE WITH OR WITHOUT DENTILS (5" LONG PLACED AT
 12" O.C.). SPECIFY ROOF PITCH. AVAILABLE WITH MITERS AND END CAPS.
 OPTION FOR CURVING IN COPPER AND PRE-WEATHERED ZINC.