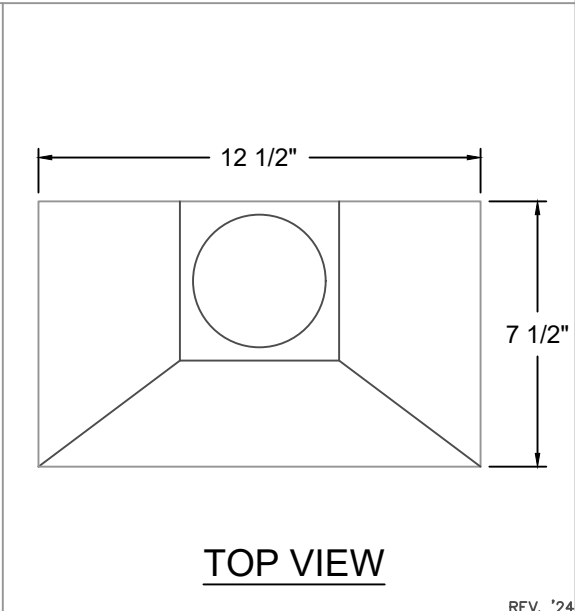
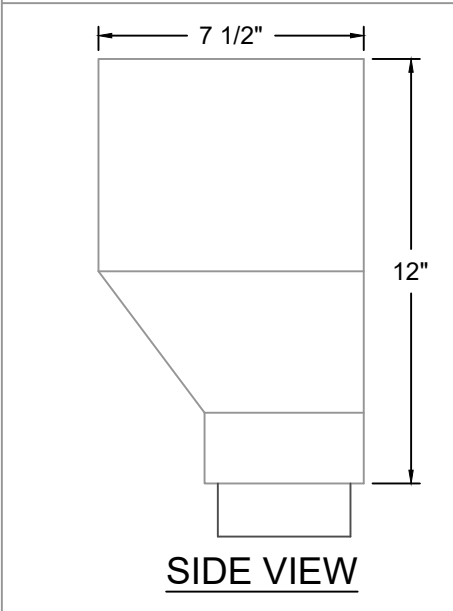
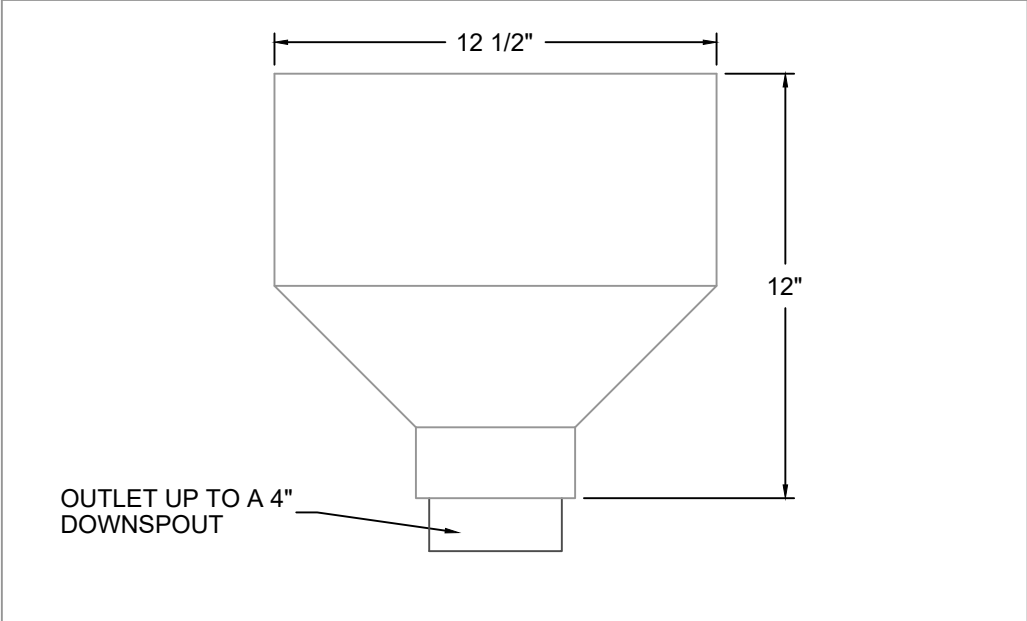


CONDUCTOR HEADS THE INDUSTRIAL



REV. '24

AVAILABLE MATERIALS MILL FINISHED ALUMINUM PREFINISHED ALUMINUM/ STEEL
 COPPER FREEDOM GRAY COPPER PAINT GRIP STEEL PREWEATHERED ZINC GALVANIZED