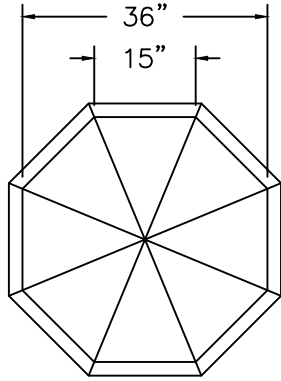
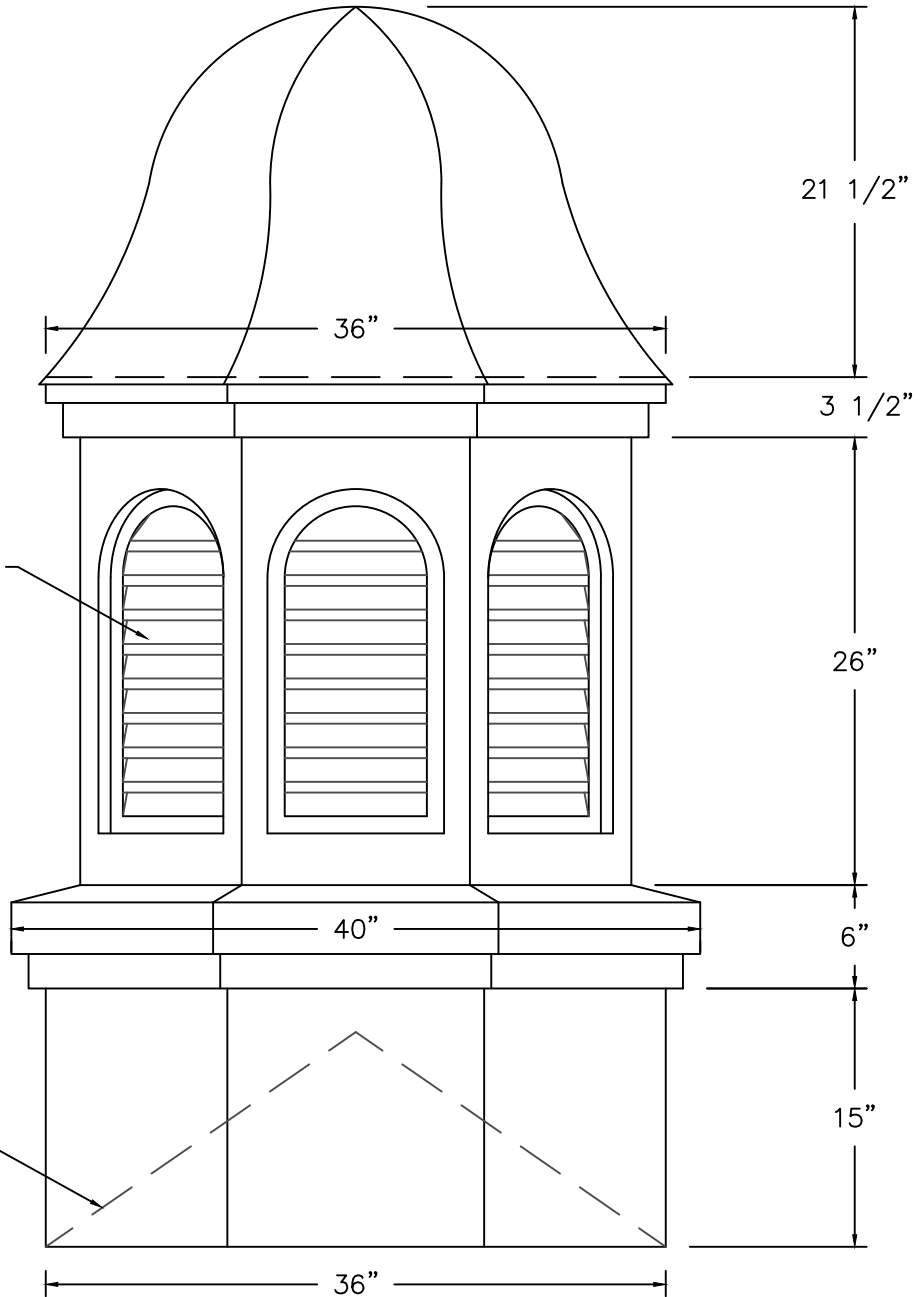
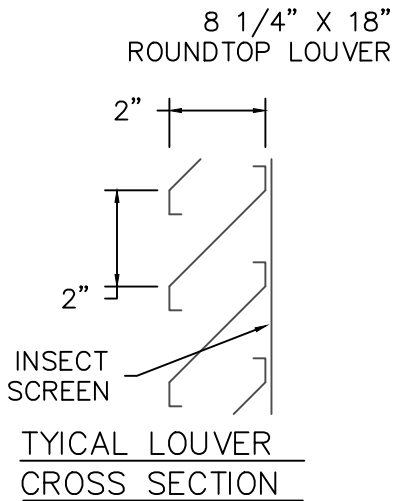


CUPOLA HIGHBURY



OCTAGONAL
DESIGN



FREE AREA: 429 SQ. IN.

REV. '24

AVAILABLE MATERIALS:

COPPER

FREEDOM GRAY COPPER

PREWEATHERED ZINC

PAINT GRIP STEEL

WEIGHT:

VARIABLES DEPENDING ON ROOF CONDITION, ROOF SLOPE AND MATERIAL

INSTALLATION:

1. FRAME CURB ON ROOF DECK.
2. BUTT LAST ROOF COURSE TO CURB.
3. INSTALL BASE FLASHING INCLUDED (SOME FIELD CUTTING REQUIRED).
4. SET CUPOLA OVER CURB.
5. ATTACH CUPOLA USING FASTENERS PROVIDED.

ORDER INFORMATION: SPECIFY EXACT ROOF PITCH.

OTHER:

AVAILABLE WITH WINDOWS OR LOUVERS.
INCLUDES INSECT SCREEN OF COMPATIBLE MATERIAL
ON LOUVER MODEL.