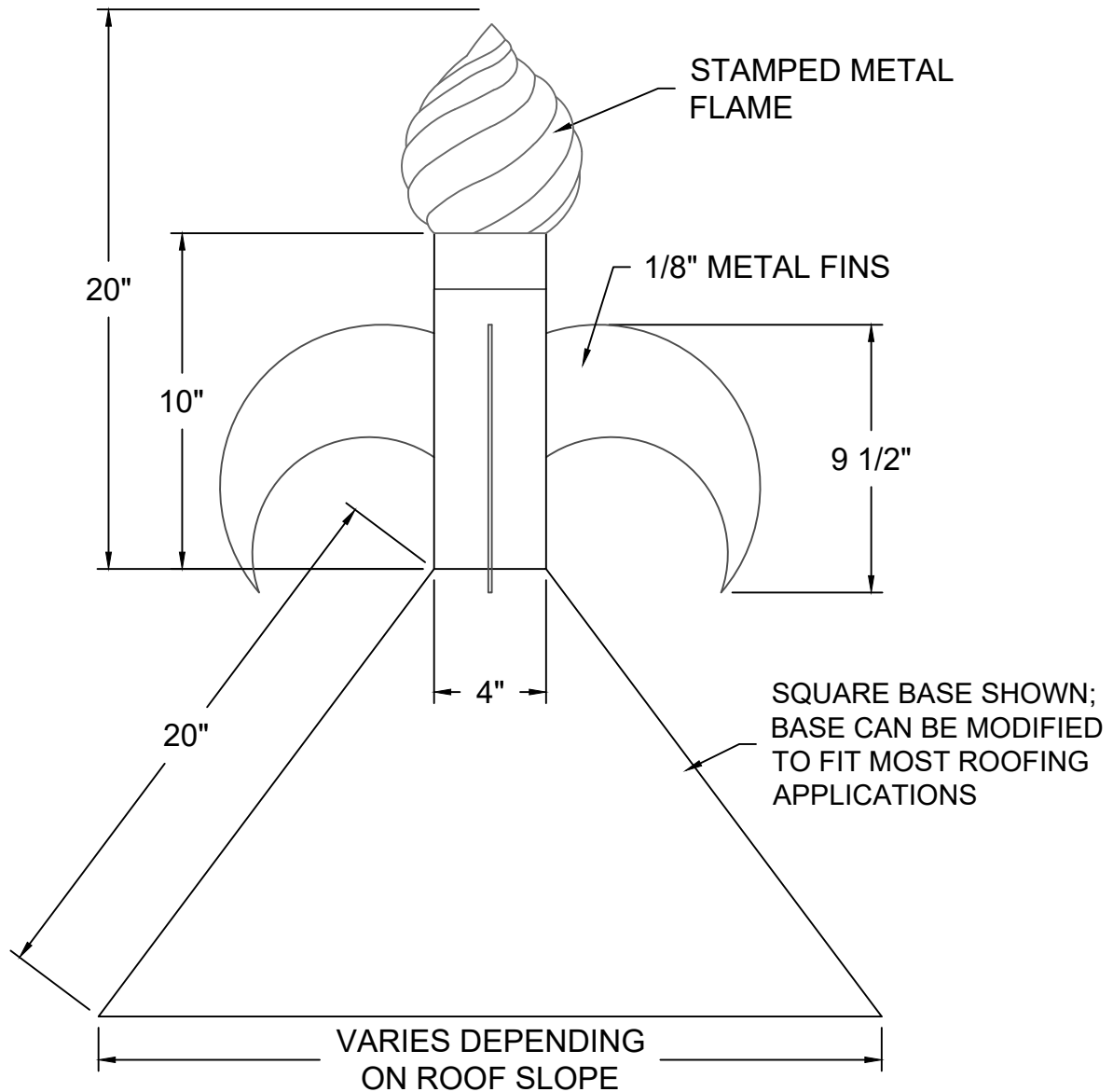


SPIRE THE EASTON



REV. '24

AVAILABLE MATERIALS:

COPPER

FREEDOM GRAY COPPER

- WEIGHT: VARIES DEPENDING ON ROOF CONDITION, ROOF SLOPE AND MATERIAL
- INSTALLATION: FASTEN THROUGH 20" ROOF FLANGE WITH FASTENERS PROVIDED. SEAL WITH SEALANT FOR A WATERTIGHT INSTALLATION. FASTEN PIPE TO STRUCTURE.
- OTHER: AVAILABLE WITH OTHER BASE OPTIONS FOR VARIOUS ROOF CONDITIONS. PROVIDE ROOF SLOPE.
- OPTIONS: AVAILABLE WITH LIGHTNING PROTECTION KIT. CONTINUE L.P. SYSTEM AS PER LOCAL CODE BY QUALIFIED LIGHTNING PROTECTION INSTALLERS.

**copper
craft**
A FLACK GLOBAL METALS COMPANY