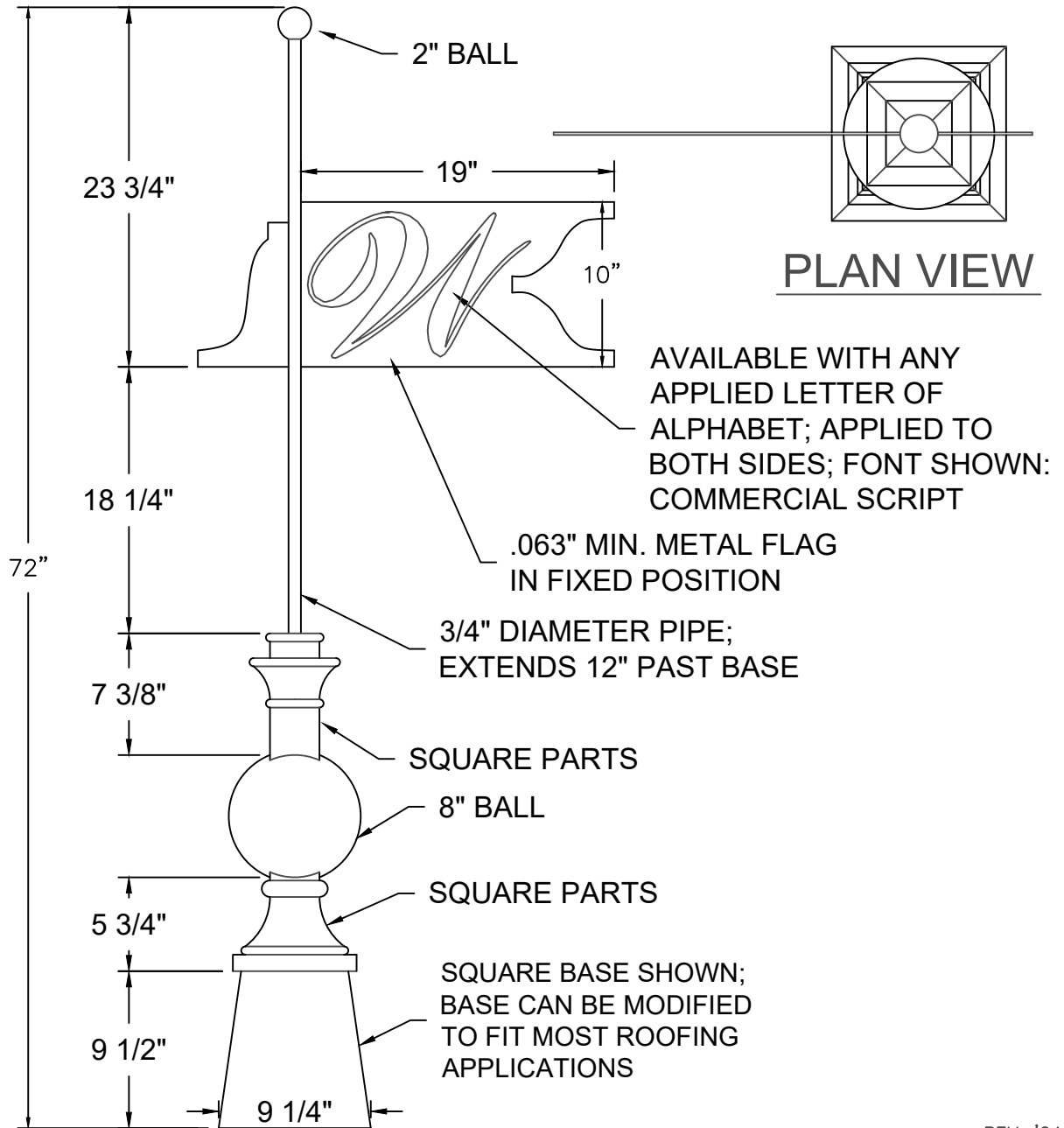


# SPIRE THE CLARDY



REV. '24

## AVAILABLE MATERIALS:

COPPER

FREEDOM GRAY COPPER

MILL FINISH/ POST PAINTED ALUMINUM

- WEIGHT: VARIES DEPENDING ON ROOF CONDITION, ROOF SLOPE AND MATERIAL
- OTHER: PIPE TO EXTEND 12" PAST SPIRE.  
AVAILABLE WITH OTHER BASE OPTIONS FOR VARIOUS ROOF CONDITIONS.  
PROVIDE ROOF SLOPE.
- INSTALLATION: SEAL THE MOUNTING BRACKET (PROVIDED) TO THE ROOF SURFACE FOR A WATERTIGHT INSTALLATION. SET SPIRE BASE OVER MOUNTING BRACKET AND ATTACH USING FASTENERS PROVIDED. SPECIFY ROOF SLOPE FOR BRACKETS. FASTEN PIPE TO STRUCTURE.
- OPTIONS: AVAILABLE WITH LIGHTNING PROTECTION KIT. CONTINUE L.P. SYSTEM AS PER LOCAL CODE BY QUALIFIED LIGHTNING PROTECTION INSTALLERS.

**copper  
craft**  
A FLACK GLOBAL METALS COMPANY