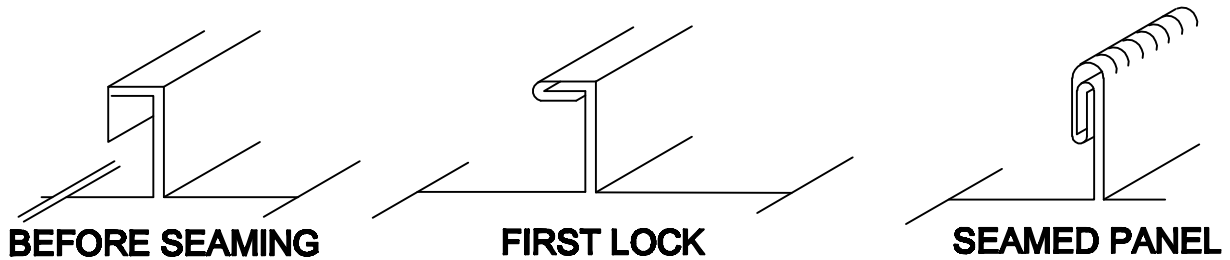
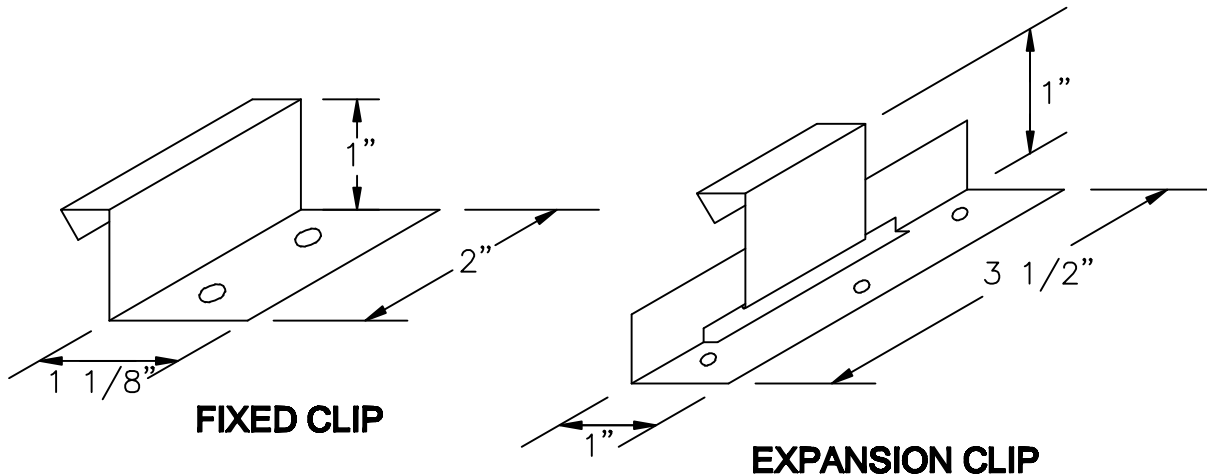


PANEL SEAM PROFILE



STANDING SEAM ROOF PANELS ARE AVAILABLE IN WIDTHS FROM 12" – 21"
 PANELS MAY BE ANY LENGTH. WE RECOMMEND COPPER PANELS BE NOT MORE
 THAN 30 FEET LONG. RECOMMENDED LENGTH OF OTHER PANELS IS 40 FOOT MAX.
 WIDER PANEL WIDTHS ARE MORE ECONOMICAL, BUT WILL ALSO DISPLAY
 A HIGHER DEGREE OF OIL CANNING.



AVAILABLE IN 1" HIGH STANDING SEAM
 TYPICAL CLIP SPACING IS 18" ON CENTER. HIGH WIND ZONES
 OR EAVE AND CORNER CONDITIONS MAY VARY. CALL FOR SPECIFIC DETAILS
 CLIPS ARE AVAILABLE IN COPPER, STAINLESS STEEL OR GALVANIZED STEEL

REV. 7/14