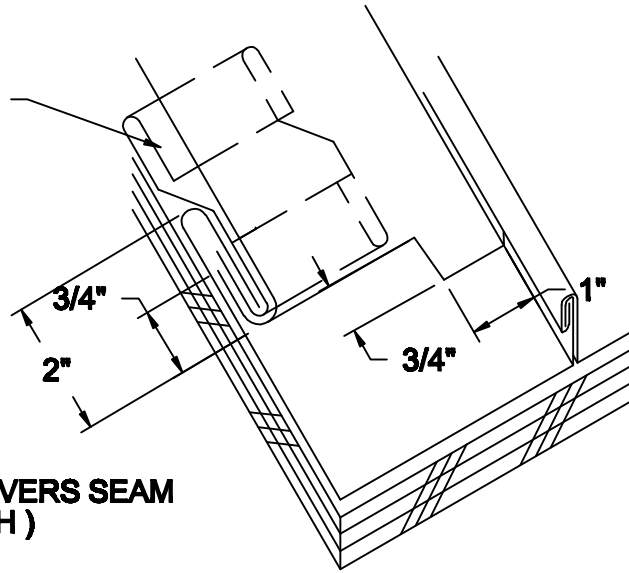


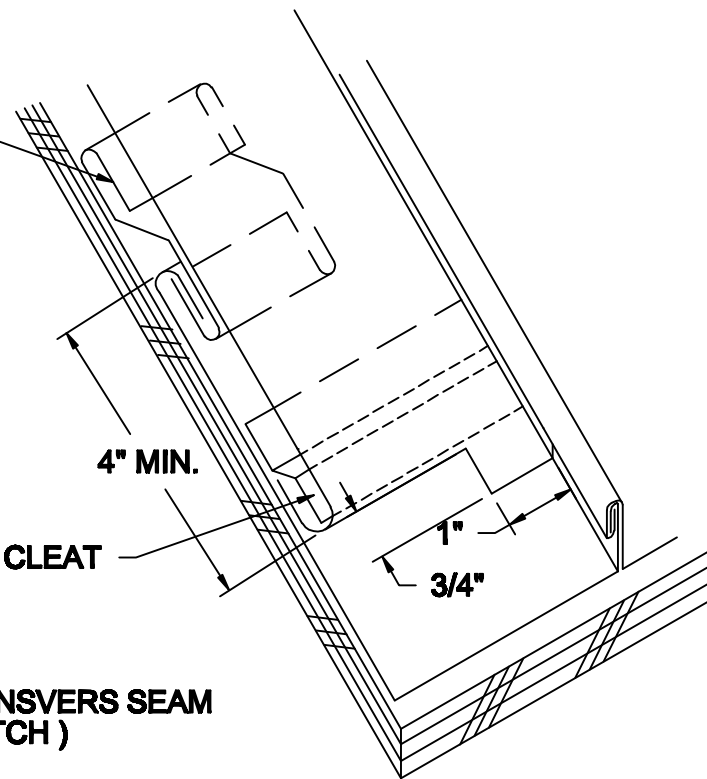
TRANSVERSE SEAM

2" WIDE CLEAT



**STEEP PITCH TRANSVERS SEAM
(6/12 OR MORE PITCH)**

2" WIDE CLEAT



**LOW PITCH TRANSVERS SEAM
(3/12 TO 6/12 PITCH)**

REV. 7/14