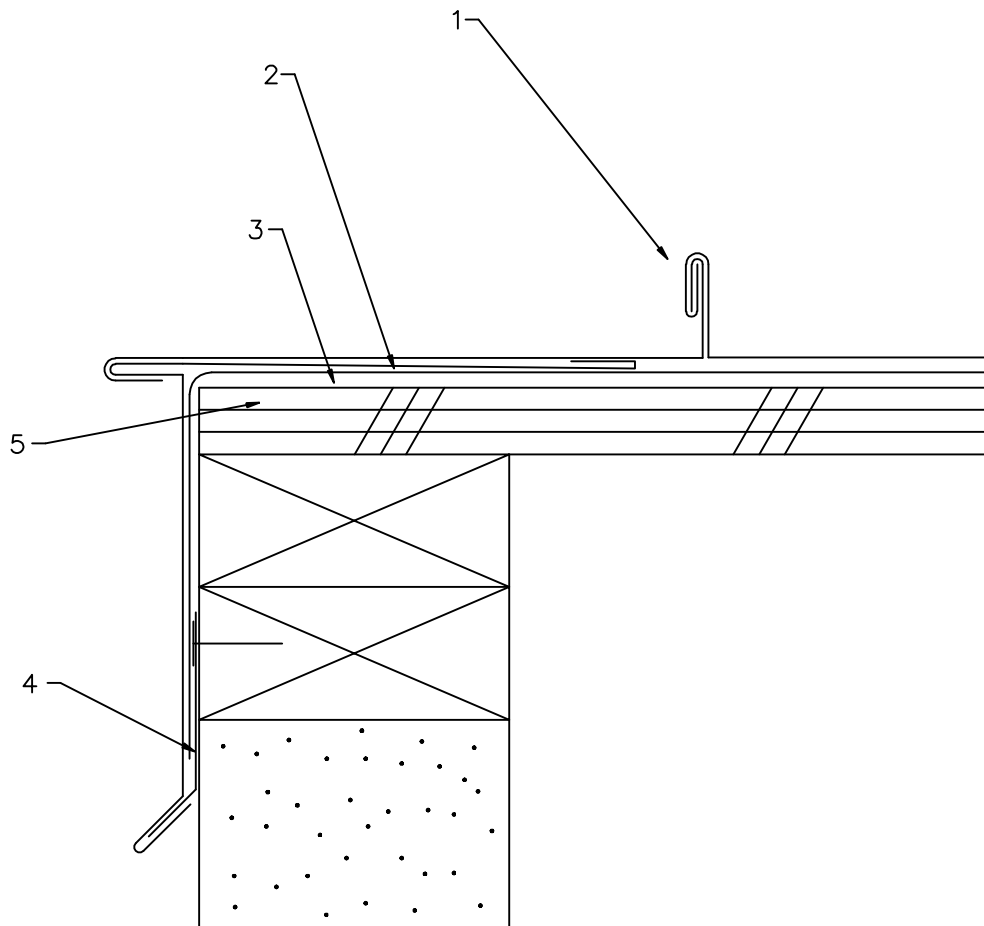


# RAKE DRIP

1. ROOF PANELS WITH END PANEL CUSTOM FORMED TO CREATE TRUE VISUAL EDGE.
2. ROSIN PAPER.
3. 30# ROOFING FELT.
4. 2" CONTINUOUS CLEAT.
5. ROOF DECK.



REV. 7/14