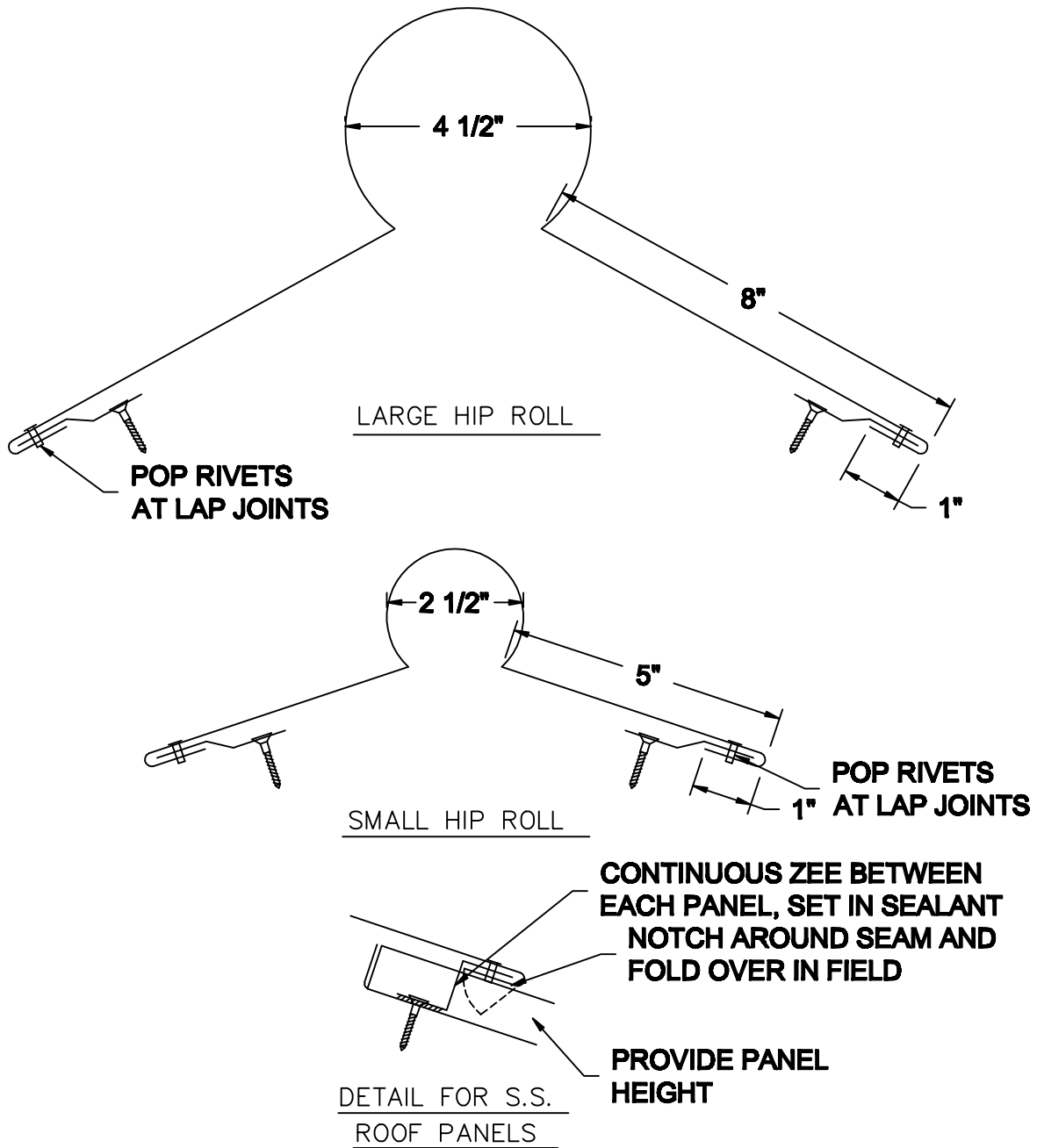


HIP/ RIDGE ROLL FOR SHINGLES/ SLATE



AVAILABLE MATERIALS

COPPER ZINC/TIN COATED COPPER PATINA COPPER PAINT GRIP STEEL
PREWEATHERED ZINC GALVANIZED PREFINISHED ALUMINUM

AVAILABLE IN 10 FOOT LENGTHS
SPECIFY ROOF PITCH AND WHETHER HIP OR RIDGE
DIMENSIONS SHOWN ARE STANDARD
COPPER CRAFT WILL CUSTOM FABRICATE TO YOUR DIMENSIONS

REV. 7/14