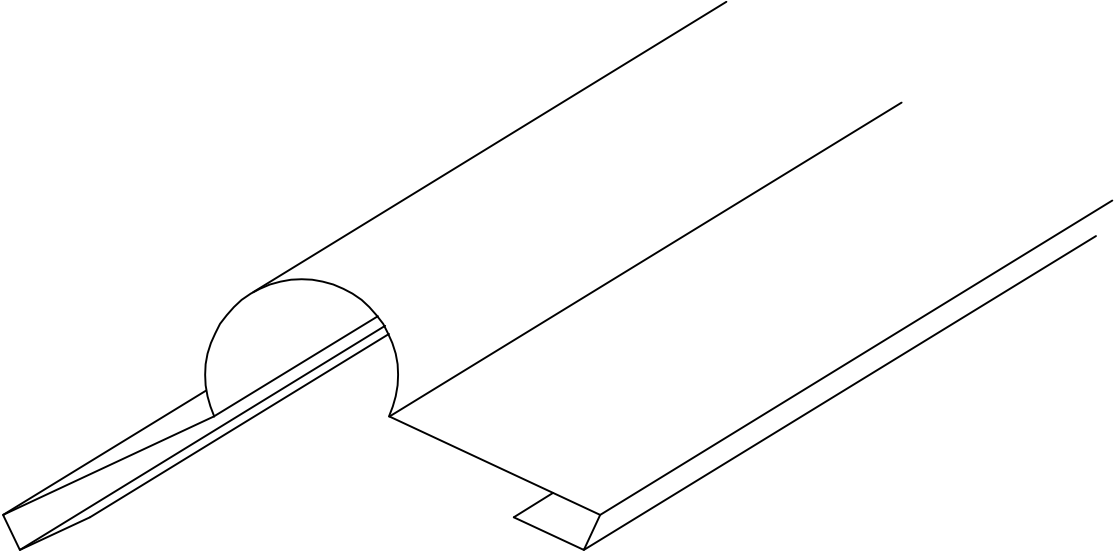
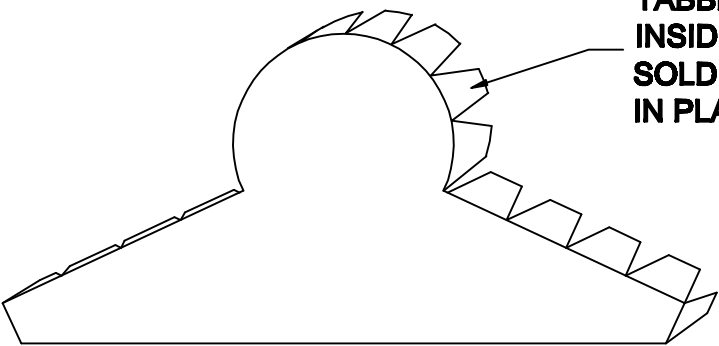


HIP/ RIDGE ROLL ENDCAP



HIP / RIDGE ROLL



**TABBED EDGES FIT
INSIDE HIP/ RIDGE ROLL.
SOLDER OR POP RIVET
IN PLACE**

HIP / RIDGE ENDCAP

REV. 7/14