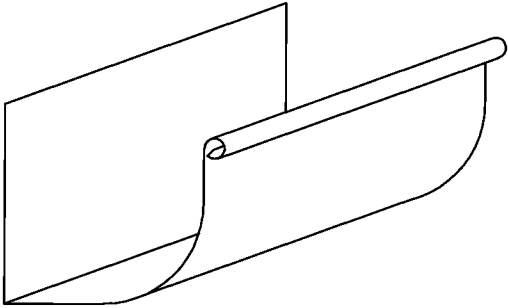
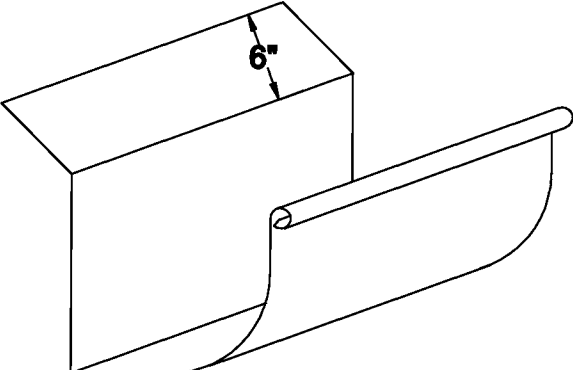
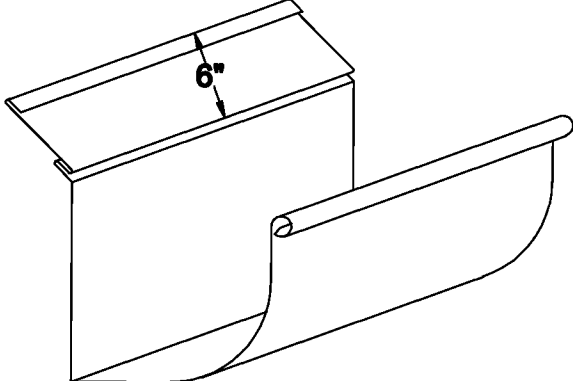
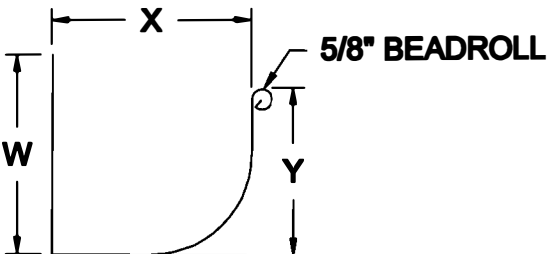
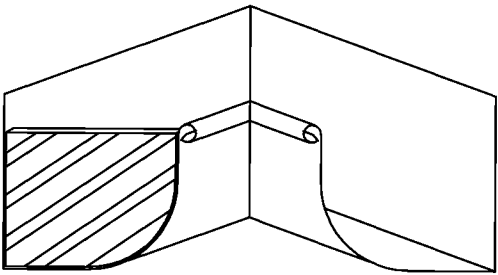
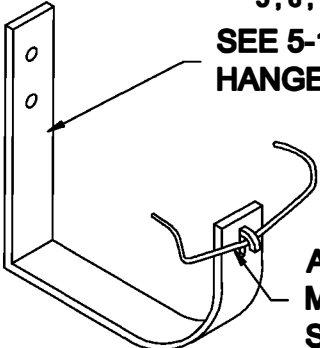


ROLLED BOX BEAD GUTTERS

<p>ROLLED BOX BEAD - STANDARD 5', 6', 7', 8'</p> 	<p>BOX BEAD - HIGH BACK * 5', 6', 7', 8'</p> 																														
<p>ROLLED BOX BEAD FOR STANDING SEAM * 5', 6', 7', 8'</p> 	 <p>5/8" BEADROLL</p> <table border="1" data-bbox="1047 924 1412 1134"> <thead> <tr> <th colspan="5">GUTTER DIMENSIONS</th> </tr> <tr> <th></th> <th>W</th> <th>X</th> <th>Y</th> <th>Z</th> </tr> </thead> <tbody> <tr> <td>5'</td> <td>5"</td> <td>5"</td> <td>4.5"</td> <td>3.125"</td> </tr> <tr> <td>6'</td> <td>6"</td> <td>6"</td> <td>5.5"</td> <td>3.75"</td> </tr> <tr> <td>7'</td> <td>7"</td> <td>7"</td> <td>6.5"</td> <td>4.375"</td> </tr> <tr> <td>8'</td> <td>8"</td> <td>8"</td> <td>7.5"</td> <td>5"</td> </tr> </tbody> </table>	GUTTER DIMENSIONS						W	X	Y	Z	5'	5"	5"	4.5"	3.125"	6'	6"	6"	5.5"	3.75"	7'	7"	7"	6.5"	4.375"	8'	8"	8"	7.5"	5"
GUTTER DIMENSIONS																															
	W	X	Y	Z																											
5'	5"	5"	4.5"	3.125"																											
6'	6"	6"	5.5"	3.75"																											
7'	7"	7"	6.5"	4.375"																											
8'	8"	8"	7.5"	5"																											
<p>INSIDE/ OUTSIDE MITERS - ENDCAPS 5', 6', 7', 8"</p> 	<p>STANDARD FACE MOUNT HANGER 5', 6', 7', 8"</p> <p>SEE 5-10 FOR HANGER SPECS.</p>  <p>AVAILABLE W/ 10/24 MACHINE BOLT OR SPRING CLIP</p>																														

AVAILABLE MATERIALS

COPPER FREEDOM GRAY COPPER PATINA COPPER PAINT GRIP STEEL
PREWEATHERED ZINC PREFINISHED ALUMINUM

* SPECIFY ROOF PITCH
ALL ROLLED BOX BEAD GUTTER ITEMS IN 10 FOOT LENGTHS.
IN AREAS SUBJECT TO SNOW SLIDE, COORDINATE THE FRONT EDGE ELEVATION OF GUTTERS WITH ROOF SLOPE LINE.

REV. 7/14