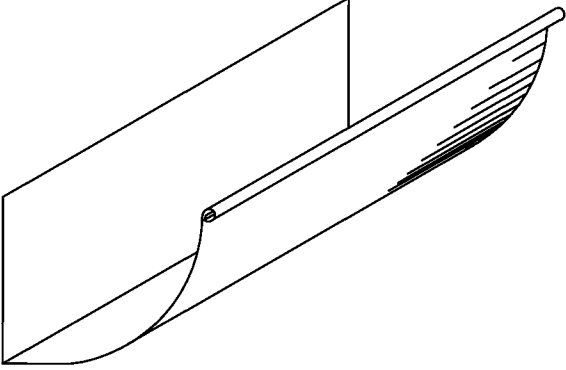
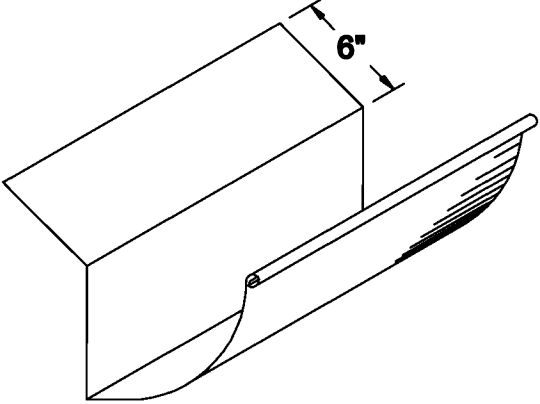
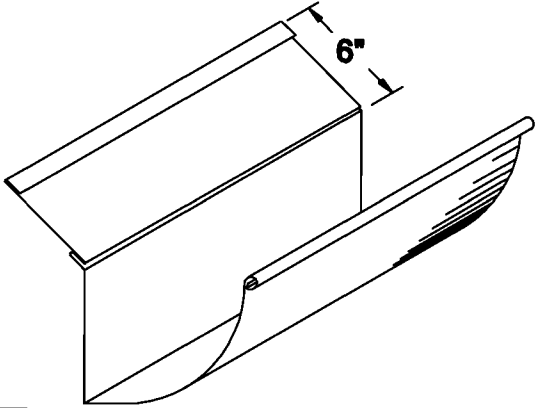
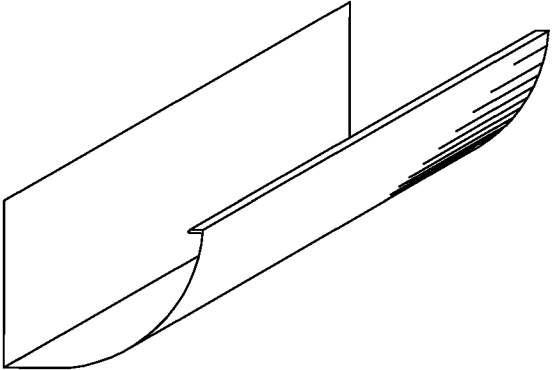
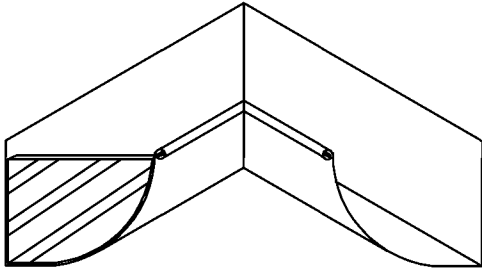
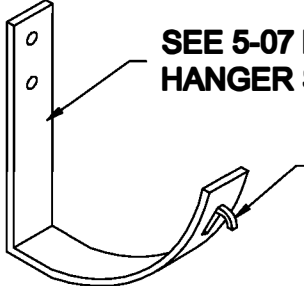


# QUARTER ROUND GUTTERS

|  |  |
|--|--|
| <p><b>QUARTER ROUND - STANDARD 5", 6", 7", 8"</b></p>                               | <p><b>QUARTER ROUND - HIGH BACK - 5", 6", 7", 8" *</b></p>   |
| <p><b>QUARTER ROUND FOR STANDING SEAM *<br/>5", 6", 7", 8"</b></p>                 | <p><b>QUARTER ROUND ALSO AVAILABLE WITH<br/>3/4" RETURN W/ HEM ON ALL CONFIGURATIONS</b></p>    |
| <p><b>INSIDE/ OUTSIDE MITERS - ENDCAPS<br/>5", 6", 7", 8"</b></p>                 | <p><b>STANDARD FACE MOUNT OUTSIDE HANGER<br/>5", 6", 7", 8"</b></p>  <p><b>SEE 5-07 FOR<br/>HANGER SPECS.</b></p> <p><b>AVAILABLE W/ 10/24<br/>MACHINE BOLT OR<br/>SPRING CLIP</b></p> |
| <p><b>AVAILABLE MATERIALS</b></p> <p>COPPER      FREEDOM GRAY COPPER      PATINA COPPER      PAINT GRIP STEEL</p> <p>PREWEATHERED ZINC      PREFINISHED ALUMINUM</p> |  |

\* SPECIFY ROOF PITCH

ALL QUARTER ROUND GUTTER ITEMS IN 10 FOOT LENGTHS.

IN AREAS SUBJECT TO SNOW SLIDE, COORDINATE THE FRONT EDGE ELEVATION OF GUTTERS WITH ROOF SLOPE LINE.

REV. 7/14