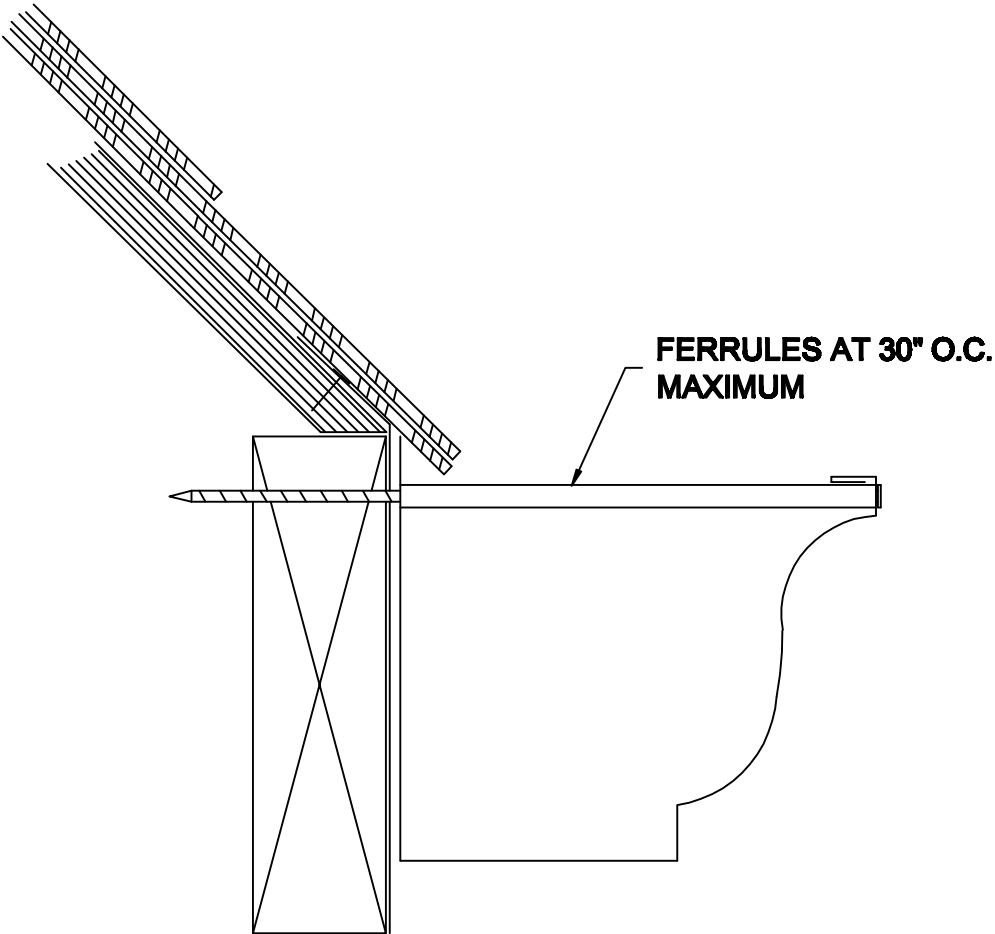


OGEE GUTTER SECTIONS

STANDARD OGEE GUTTER WITH SPIKE AND FERRULE INSTALLATION



REV. 7/14

IN AREAS SUBJECT TO SNOW SLIDE, COORDINATE THE FRONT EDGE ELEVATION OF GUTTERS WITH ROOF SLOPE LINE.