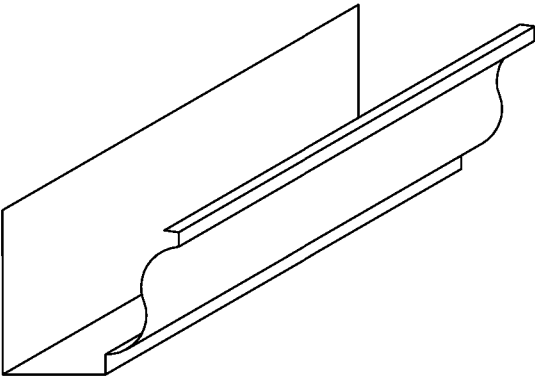
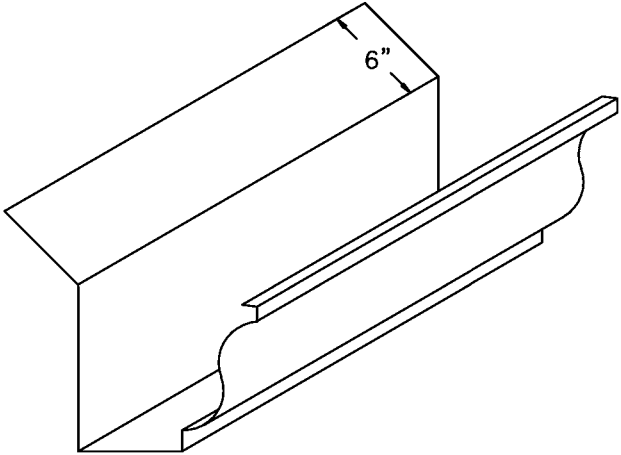
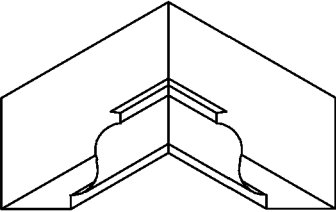
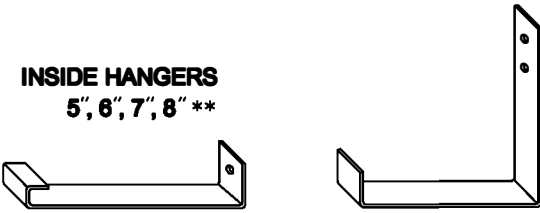
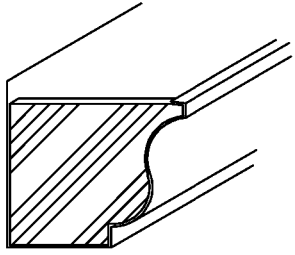
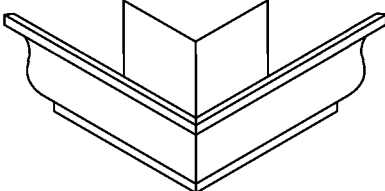


OGEE GUTTERS AND ACCESSORIES

<p>OGEE GUTTER - STANDARD 5", 6", 7", 8" *</p>  <p>OGEE GUTTER HAS TRUE QUARTER ROUND ROLLS MATCHING TRADITIONAL GUTTER</p>	<p>OGEE GUTTER - HIGH BACK 5", 6", 7", 8"</p>  <p>STANDARD 6" FLANGE</p>
<p>INSIDE MITER 5", 6", 7", 8"</p> 	<p>OUTSIDE HANGERS 5", 6", 7", 8" **</p> <p>INSIDE HANGERS 5", 6", 7", 8" **</p>  <p>* SEE ISOMETRIC DRAWINGS</p>
<p>END CAPS 5", 6", 7", 8"</p> 	<p>OUTSIDE MITER 5", 6", 7", 8"</p> 
<p>AVAILABLE MATERIALS</p> <p>COPPER FREEDOM GRAY COPPER PATINA COPPER PAINT GRIP STEEL</p> <p>PREWEATHERED ZINC PREFINISHED ALUMINUM</p>	

REV. 7/14

* AVAILABLE CURVED

** ALL HEAVY GAUGE. USE 12 GA BAR WITH PAINT GRIP AND RHEINZINK.
USE 3/16" X 1" BAR WITH ALUMINUM, ZINC/ TIN COATED COPPER, AND COPPER.

IN AREAS SUBJECT TO SNOW SLIDE, COORDINATE THE FRONT EDGE ELEVATION OF GUTTERS WITH ROOF SLOPE LINE.