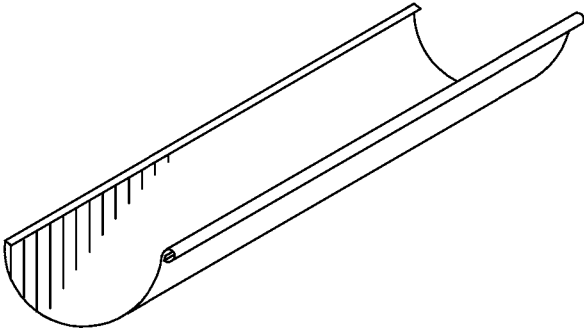
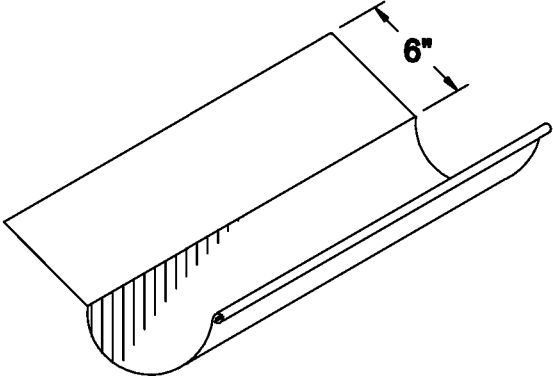
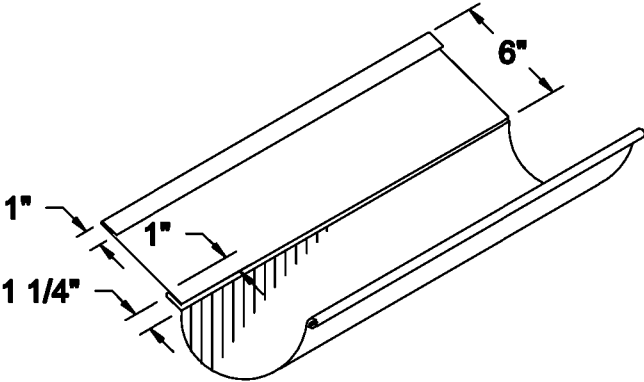
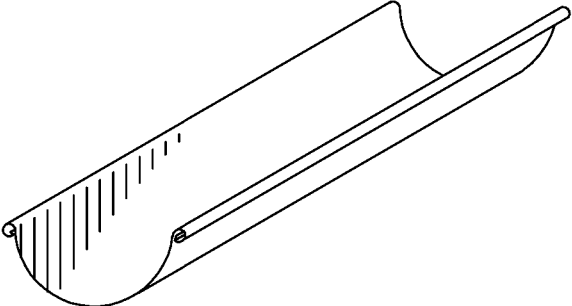


HALF ROUND GUTTERS

<p>SINGLE BEAD - STANDARD 5",6",7",8" **</p> 	<p>SINGLE BEAD - HIGH BACK 5",6",7",8" *</p> 
<p>SINGLE BEAD - FOR STANDING SEAM 5",6",7",8" *</p> 	<p>DOUBLE BEAD 5",6",7",8"</p> 
<p>AVAILABLE MATERIALS</p> <p>COPPER FREEDOM GRAY COPPER PATINA COPPER PAINT GRIP STEEL</p> <p>PREWEATHERED ZINC PREFINISHED ALUMINUM</p>	

- * SPECIFY ROOF PITCH
- ** AVAILABLE CURVED

REV. 7/14

ALL HALF ROUND GUTTER ITEMS IN 10 FOOT LENGTHS.
 ALL HALF ROUND GUTTER ITEMS ARE AVAILABLE WITH HANGERS AND STRAPS.
 IN AREAS SUBJECT TO SNOW SLIDE, COORDINATE THE FRONT EDGE ELEVATION OF GUTTERS WITH ROOF SLOPE LINE.