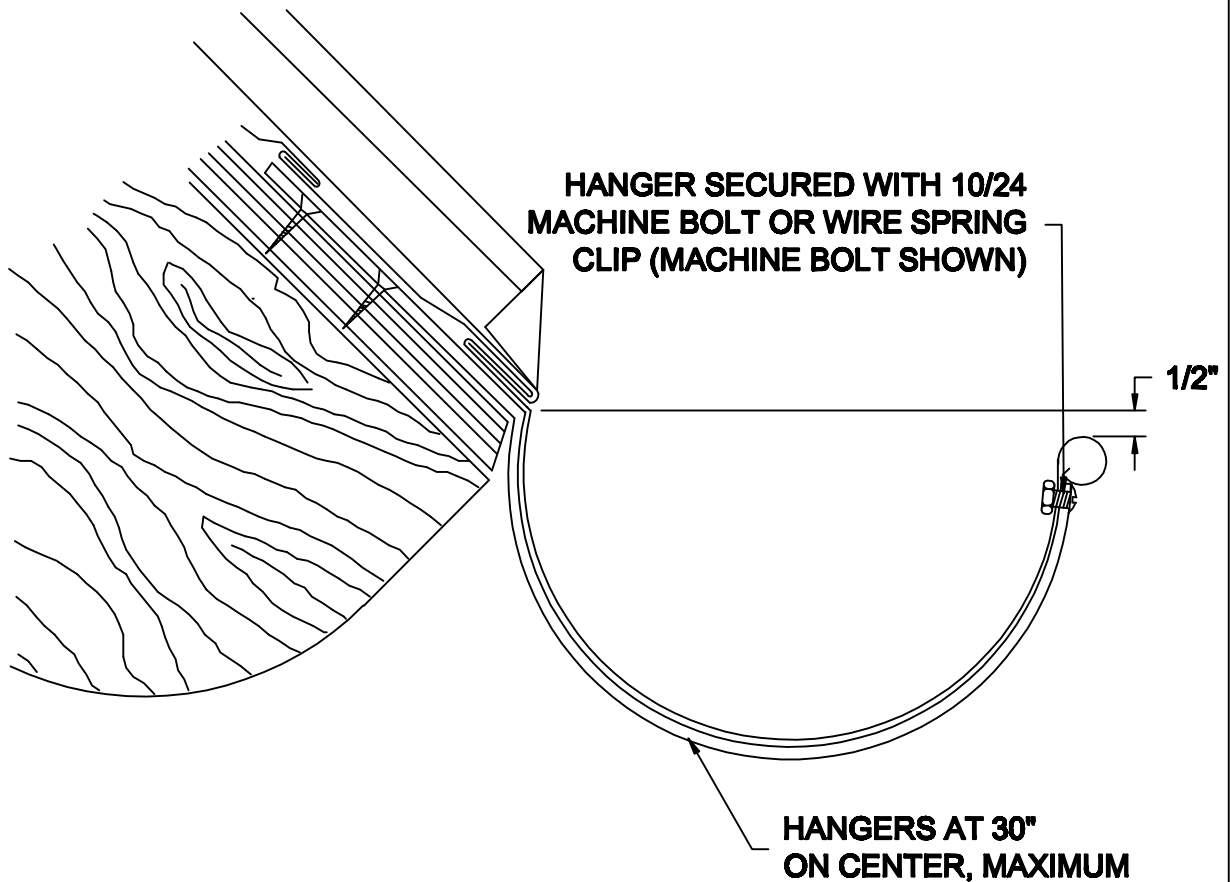


HALF ROUND GUTTER SECTIONS

**HALF ROUND GUTTER FOR STANDING SEAM WITH ROOF MOUNT HANGER.
FOR APPLICATIONS WITH OPEN RAFTERS, RECEDING FASCIA, OR VERTICAL FASCIA.**



REV. 7/14

IN AREAS SUBJECT TO SNOW SLIDE, COORDINATE THE FRONT EDGE ELEVATION OF GUTTERS WITH ROOF SLOPE LINE.