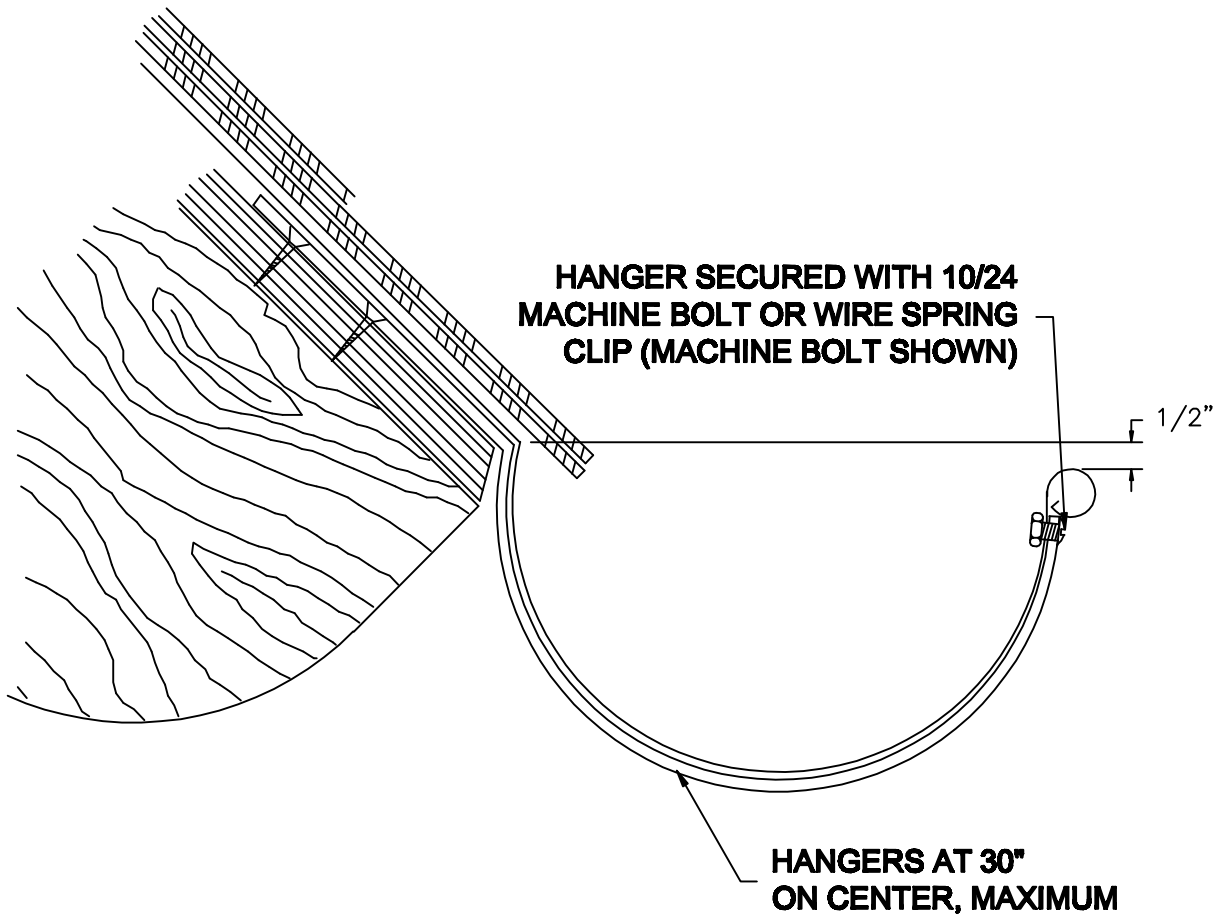


HALF ROUND GUTTER SECTIONS

**HALF ROUND HIGH BACK GUTTER WITH ROOF MOUNT HANGER.
FOR APPLICATION ON SLATE OR SHINGLE ROOFING
WITH OPEN RAFTERS OR RECEDING FASCIA**



REV. 7/14

IN AREAS SUBJECT TO SNOW SLIDE, COORDINATE THE FRONT EDGE ELEVATION OF GUTTERS WITH ROOF SLOPE LINE.