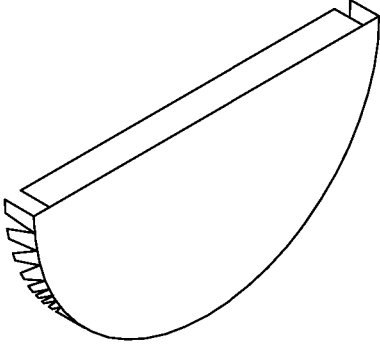
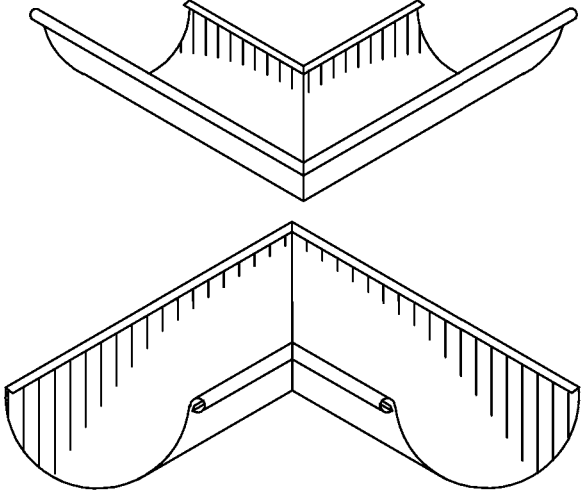
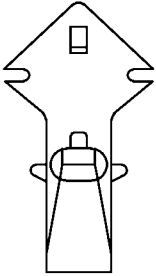
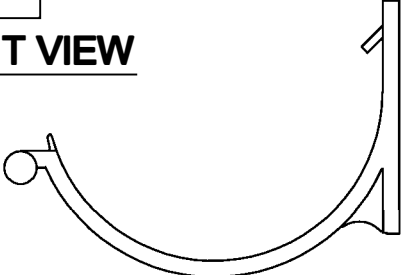
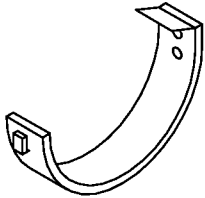
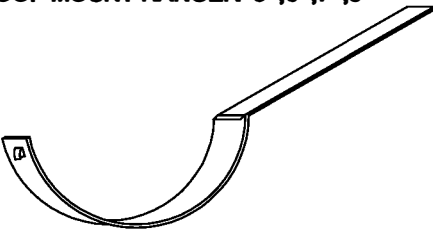


# HALF ROUND ACCESSORIES

<p><b>ENDCAPS 5",6",7",8"</b></p> 	<p><b>INSIDE/ OUTSIDE MITER 5",6",7",8"</b></p> 
<p><b>CAST HALF ROUND HANGERS 5",6"</b></p>  <p><b>FRONT VIEW</b></p>  <p><b>SIDE VIEW</b></p> <p><b>AVAILABLE IN BRASS OR ALUMINUM</b></p>	<p><b>FACE MOUNT HANGER 5",6",7",8"*</b></p>  <p><b>*SEE ISOMETRIC DRAWINGS</b></p> <p><b>AVAILABLE WITH EITHER A BRASS BOLT OR SPRING CLIP TO ATTACH TO GUTTER</b></p> <hr/> <p><b>ROOF MOUNT HANGER 5",6",7",8"*</b></p>  <p><b>AVAILABLE WITH EITHER A 10/24 MACHINE BOLT OR SPRING CLIP TO ATTACH TO GUTTER</b></p>
<p><b>AVAILABLE MATERIALS</b></p> <p>COPPER      FREEDOM GRAY COPPER      PATINA COPPER      PAINT GRIP STEEL</p> <p>PREWEATHERED ZINC      PREFINISHED ALUMINUM</p>	

\* ALL HEAVY GAUGE. USE 12 GA BAR WITH PAINT GRIP. USE 3/16" X 1" BAR WITH ALUMINUM, ZINC/ TIN COATED COPPER, AND COPPER.

REV. 7/14

IN AREAS SUBJECT TO SNOW SLIDE, COORDINATE THE FRONT EDGE ELEVATION OF GUTTERS WITH ROOF SLOPE LINE.