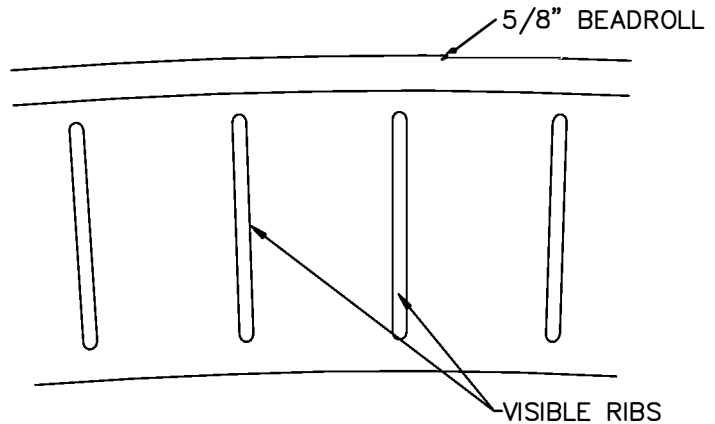
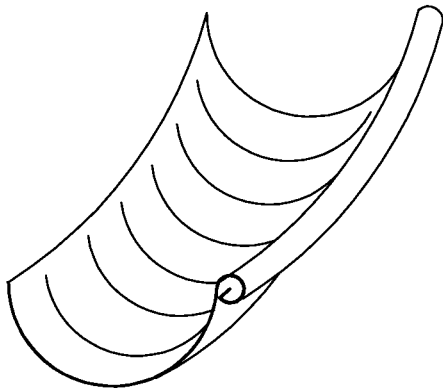


# CURVED GUTTERS

## CURVED HALF ROUND GUTTER



### **ADDITIONAL SPECIFICATIONS:**

MINIMUM RADIUS OF 6 FT.  
 AVAILABLE 5", 6", 7", & 8" IN 10 FT. LENGTHS.  
 HALF ROUND RADIUS GUTTER WILL HAVE VISIBLE RIBS THAT ARE INTEGRAL  
 TO THE MANUFACTURING OF THE RADIUS GUTTER.  
 CUSTOMER MUST SUPPLY RADIUS AND ARC LENGTH BEFORE PRODUCTION.

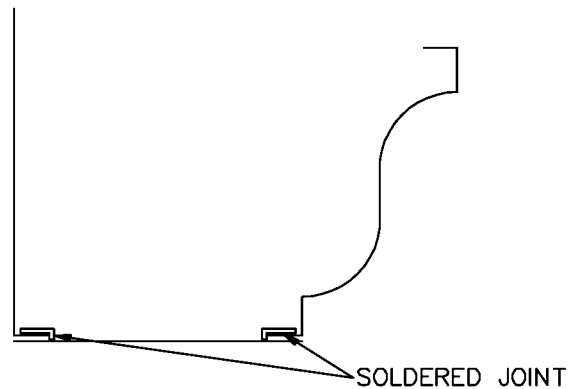
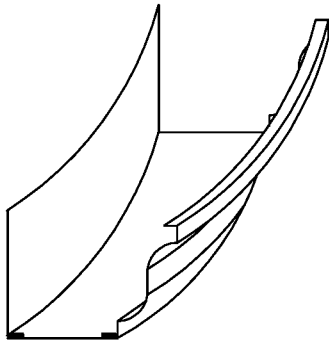
**TOP VIEW**

### AVAILABLE MATERIALS

16 OZ and 20 OZ COPPER

16 OZ and 20 OZ ZINC/ TIN COATED COPPER

## CURVED OGEE GUTTER



### **ADDITIONAL SPECIFICATIONS:**

MINIMUM RADIUS OF 6 FT.  
 AVAILABLE 5" AND 6" IN 5 FT. +/- LENGTHS.  
 OGEE RADIUS GUTTER IS MANUFACTURED IN THREE SEPARATE CURVED PIECES.  
 THESE THREE PIECES ARE THEN SOLDERED TOGETHER TO FORM THE FINISHED OGEE GUTTER.  
 CUSTOMER MUST SUPPLY RADIUS AND ARC LENGTH BEFORE PRODUCTION.

### AVAILABLE MATERIALS

16 OZ and 20 OZ COPPER

PREWEATHERED ZINC

16 OZ and 20 OZ FREEDOM GRAY COPPER

PAINT GRIP ALUMINUM (RIVET & CAULKED)

REV. 7/14