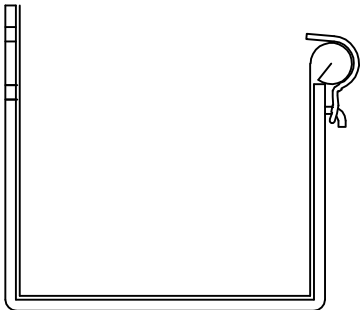
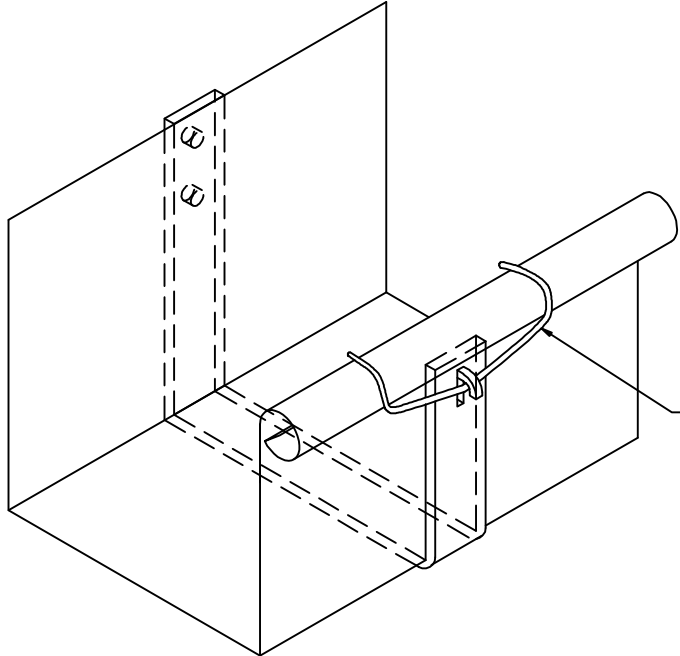


BOX BEAD/ ROLLED BOX BEAD GUTTER ISOMETRIC DRAWINGS OF HANGERS

5" - 8" BOX BEAD GUTTER & HANGER W/ INSIDE STRAP



AVAILABLE W/ SPRING CLIP OR MACHINE BOLT

**GUTTER PROFILE AVAILABLE IN STANDING SEAM AND HI-BACK.

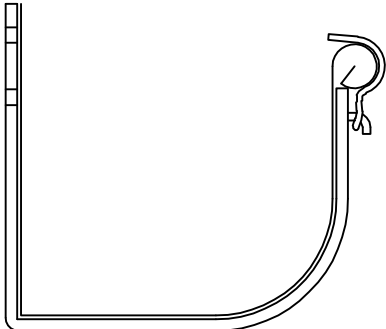
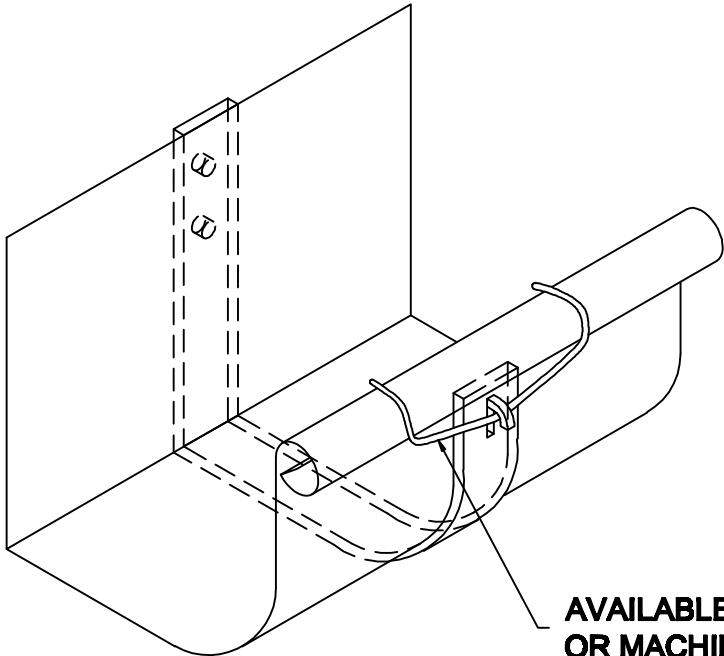
HANGER SPECIFICATIONS

AVAILABLE MATERIALS

| | Aluminum | Copper | Tin Coated Copper | Galvaneal | Galvanized |
|-------------------|----------|--------|-------------------|-----------|------------|
| 3/16" X 1" Hanger | ● | ● | ● | | |
| .063" X 1" Strap | ● | ● | ● | | |
| 12 ga X 1" Hanger | | | | ● | ● |
| 20 ga X 1" Strap | | | | ● | ● |
| | | | | | |

* STRAP INCLUDED W/ 7" + HANGERS

5" - 8" ROLLED BOX BEAD GUTTER & HANGER W/ INSIDE STRAP



AVAILABLE W/ SPRING CLIP OR MACHINE BOLT

**GUTTER PROFILE AVAILABLE IN STANDING SEAM AND HI-BACK.

REV. 7/14