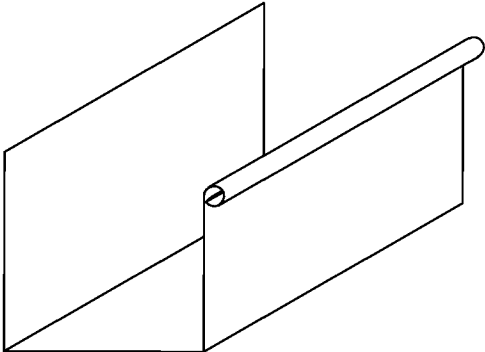
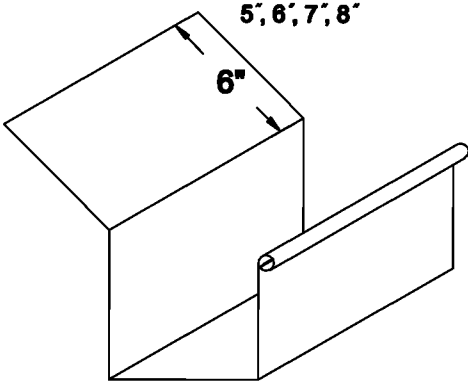
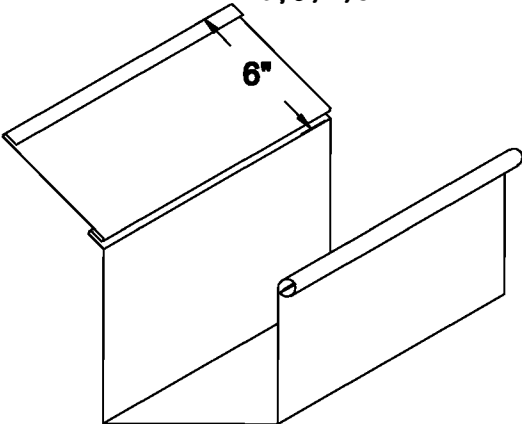
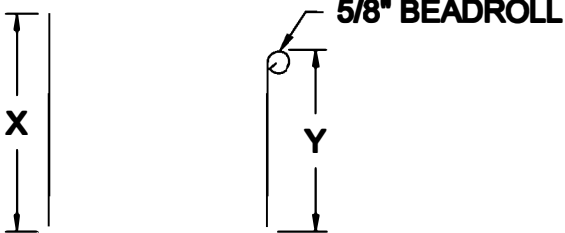
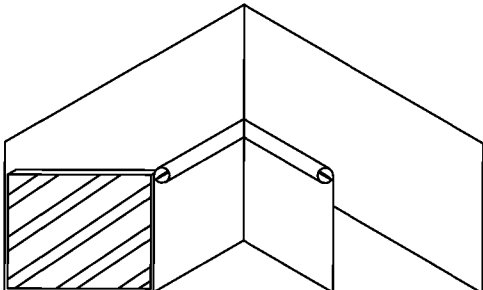
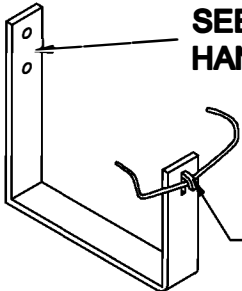


BOX BEAD GUTTERS

<p>BOX BEAD - STANDARD 5', 6', 7', 8'</p> 	<p>BOX BEAD - HIGH BACK * 5', 6', 7', 8'</p> 																								
<p>BOX BEAD FOR STANDING SEAM * 5', 6', 7', 8'</p> 	<p>5/8" BEADROLL</p>  <table border="1" data-bbox="1057 919 1425 1136"> <thead> <tr> <th colspan="4">GUTTER DIMENSIONS</th> </tr> <tr> <th></th> <th>X</th> <th>Y</th> <th>Z</th> </tr> </thead> <tbody> <tr> <td>5'</td> <td>5'</td> <td>4.5'</td> <td>5'</td> </tr> <tr> <td>6'</td> <td>6'</td> <td>5.5'</td> <td>6'</td> </tr> <tr> <td>7'</td> <td>7'</td> <td>6.5'</td> <td>7'</td> </tr> <tr> <td>8'</td> <td>8'</td> <td>7.5'</td> <td>8'</td> </tr> </tbody> </table>	GUTTER DIMENSIONS					X	Y	Z	5'	5'	4.5'	5'	6'	6'	5.5'	6'	7'	7'	6.5'	7'	8'	8'	7.5'	8'
GUTTER DIMENSIONS																									
	X	Y	Z																						
5'	5'	4.5'	5'																						
6'	6'	5.5'	6'																						
7'	7'	6.5'	7'																						
8'	8'	7.5'	8'																						
<p>INSIDE/ OUTSIDE MITERS - ENDCAPS 5', 6', 7', 8'</p> 	<p>STANDARD FACE MOUNT HANGER 5', 6', 7', 8'</p> <p>SEE 5-10 FOR HANGER SPECS.</p>  <p>AVAILABLE W/ 10/24 MACHINE BOLT OR SPRING CLIP</p>																								

AVAILABLE MATERIALS

COPPER FREEDOM GRAY COPPER PATINA COPPER PAINT GRIP STEEL
PREWEATHERED ZINC PREFINISHED ALUMINUM

* SPECIFY ROOF PITCH
ALL BOX BEAD GUTTER ITEMS IN 10 FOOT LENGTHS.
IN AREAS SUBJECT TO SNOW SLIDE, COORDINATE THE FRONT EDGE ELEVATION OF GUTTERS WITH ROOF SLOPE LINE.

REV. 7/14