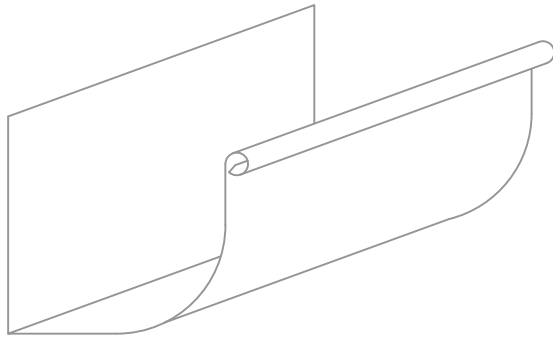


ROLLED BOX BEAD GUTTERS

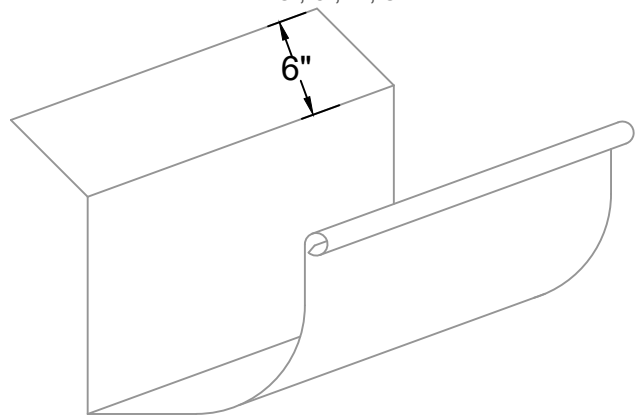
ROLLED BOX BEAD - STANDARD

5", 6", 7", 8"



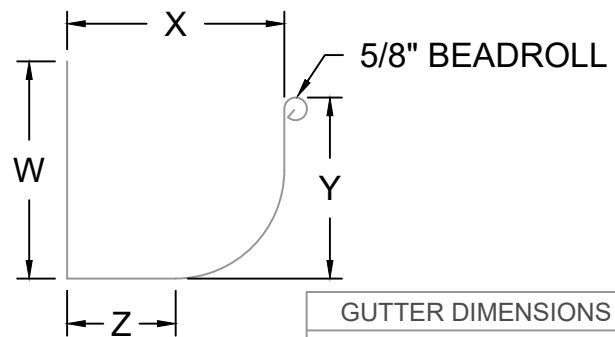
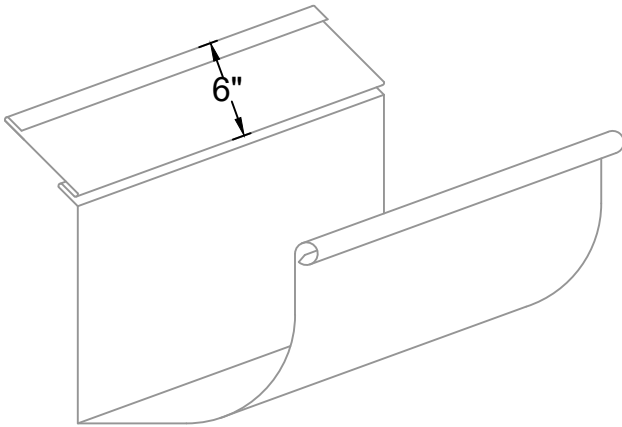
BOX BEAD - HIGH BACK *

5", 6", 7", 8"



ROLLED BOX BEAD FOR STANDING SEAM *

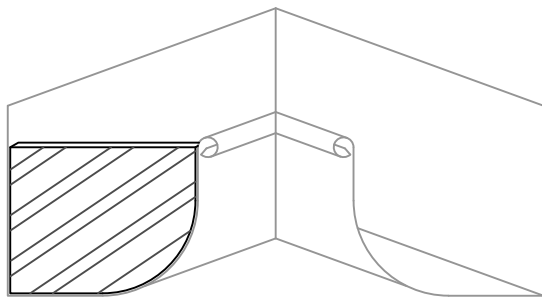
5", 6", 7", 8"



GUTTER DIMENSIONS				
	W	X	Y	Z
5"	5"	5"	4.5"	3.125"
6"	6"	6"	5.5"	3.75"
7"	7"	7"	6.5"	4.375"
8"	8"	8"	7.5"	5"

INSIDE/ OUTSIDE MITERS - ENDCAPS

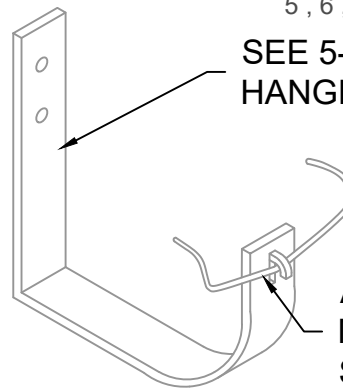
5", 6", 7", 8"



STANDARD FACE MOUNT HANGER

5", 6", 7", 8"

SEE 5-10 FOR HANGER SPECS.



AVAILABLE W/ 10/24 MACHINE BOLT OR SPRING CLIP

AVAILABLE MATERIALS

COPPER GALVANIZED PAINT GRIP STEEL TIN COATED COPPER
 PREFINISHED ALUMINUM/ STEEL GALVALUME PREWEATHERED ZINC

REV. '24

* SPECIFY ROOF PITCH
 ALL ROLLED BOX BEAD GUTTER ITEMS IN 10 FOOT LENGTHS.
 IN AREAS SUBJECT TO SNOW SLIDE, COORDINATE THE FRONT EDGE ELEVATION OF GUTTERS WITH ROOF SLOPE LINE.