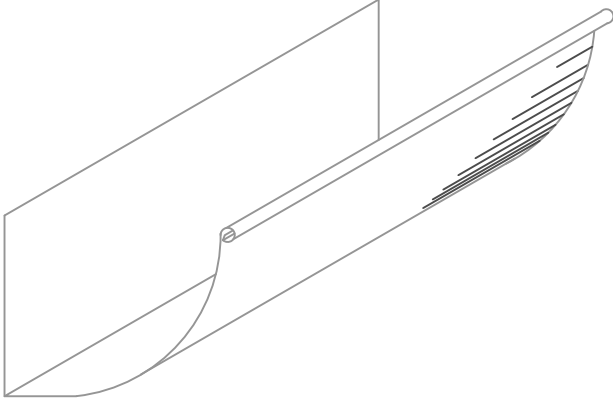
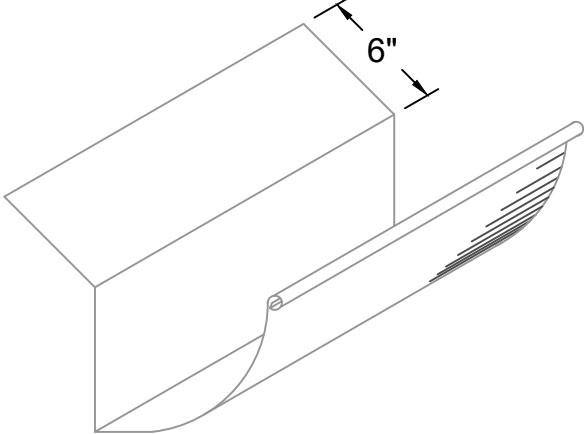
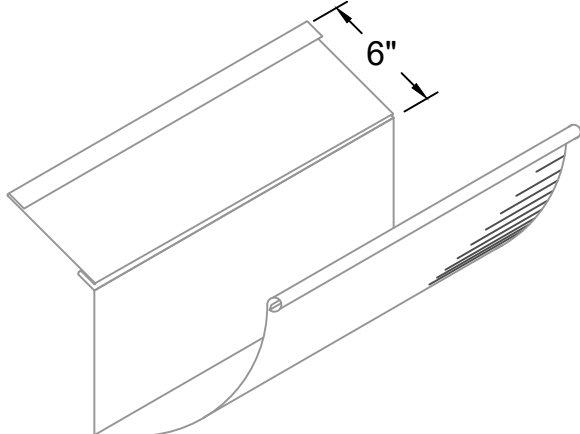
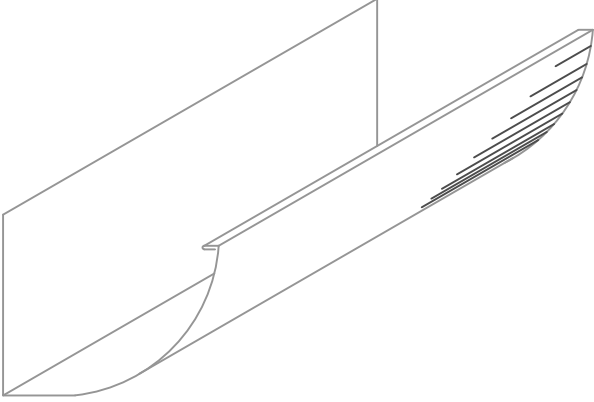
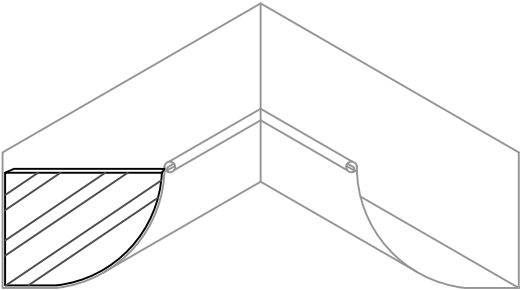
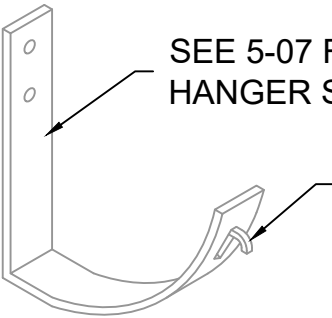


QUARTER ROUND GUTTERS

<p>QUARTER ROUND - STANDARD 5", 6", 7", 8"</p> 	<p>QUARTER ROUND - HIGH BACK - 5", 6", 7", 8" *</p> 
<p>QUARTER ROUND FOR STANDING SEAM * 5", 6", 7", 8"</p> 	<p>QUARTER ROUND ALSO AVAILABLE WITH 3/4" RETURN W/ HEM ON ALL CONFIGURATIONS</p> 
<p>INSIDE/ OUTSIDE MITERS - ENDCAPS 5", 6", 7", 8"</p> 	<p>STANDARD FACE MOUNT OUTSIDE HANGER 5", 6", 7", 8"</p>  <p>SEE 5-07 FOR HANGER SPECS.</p> <p>AVAILABLE W/ 10/24 MACHINE BOLT OR SPRING CLIP</p>
<p>AVAILABLE MATERIALS</p> <p>COPPER GALVANIZED PAINT GRIP STEEL FREEDOM GRAY COPPER</p> <p>PREFINISHED ALUMINUM/ STEEL GALVALUME PREWEATHERED ZINC</p> <p style="text-align: right;">REV. '24</p>	

* SPECIFY ROOF PITCH

ALL QUARTER ROUND GUTTER ITEMS IN 10 FOOT LENGTHS.

IN AREAS SUBJECT TO SNOW SLIDE, COORDINATE THE FRONT EDGE ELEVATION OF GUTTERS WITH ROOF SLOPE LINE.