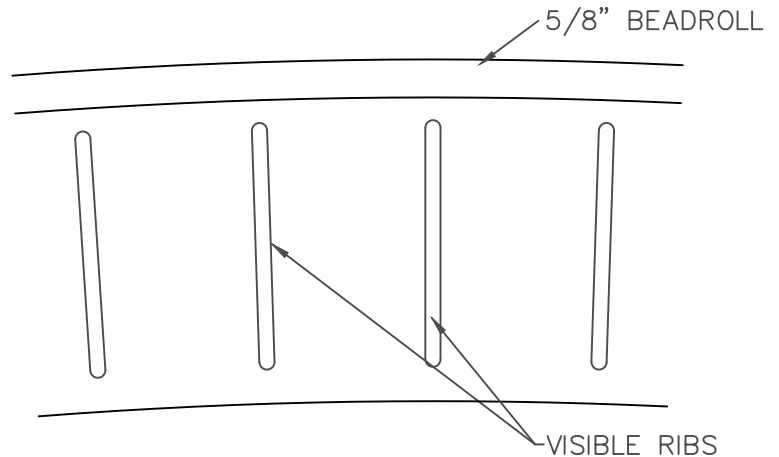
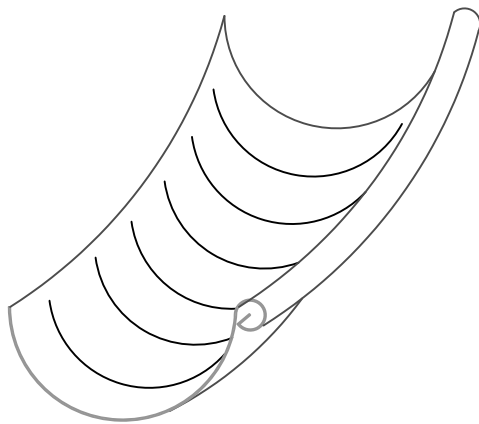


CURVED GUTTERS

CURVED HALF ROUND GUTTER



ADDITIONAL SPECIFICATIONS:

MINIMUM RADIUS OF 6 FT.
 AVAILABLE 5", 6", 7", & 8" IN 10 FT. LENGTHS.
 HALF ROUND RADIUS GUTTER WILL HAVE VISIBLE RIBS THAT ARE INTEGRAL
 TO THE MANUFACTURING OF THE RADIUS GUTTER.
 CUSTOMER MUST SUPPLY RADIUS AND ARC LENGTH BEFORE PRODUCTION.

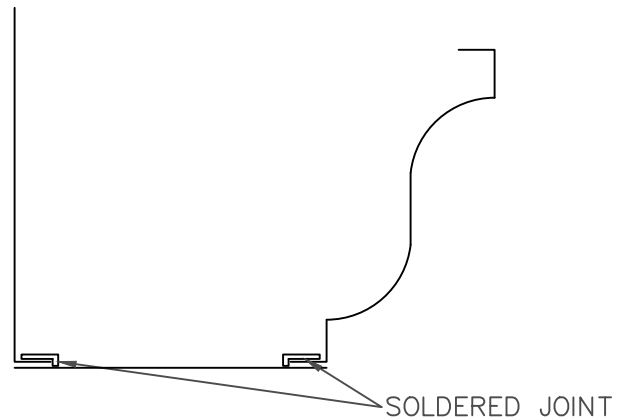
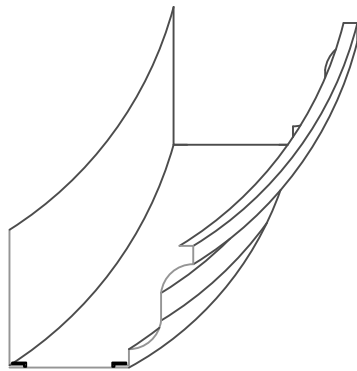
TOP VIEW

AVAILABLE MATERIALS

16 OZ and 20 OZ COPPER

16 OZ and 20 OZ ZINC/ TIN COATED COPPER

CURVED OGEE GUTTER



ADDITIONAL SPECIFICATIONS:

MINIMUM RADIUS OF 6 FT.
 AVAILABLE 5" AND 6" IN 5 FT. +/- LENGTHS.
 OGEE RADIUS GUTTER IS MANUFACTURED IN THREE SEPARATE CURVED PIECES.
 THESE THREE PIECES ARE THEN SOLDERED TOGETHER TO FORM THE FINISHED OGEE GUTTER.
 CUSTOMER MUST SUPPLY RADIUS AND ARC LENGTH BEFORE PRODUCTION.

AVAILABLE MATERIALS

16 OZ and 20 OZ COPPER

16 OZ and 20 OZ FREEDOM GRAY COPPER

GALVALUME

PREWEATHERED ZINC

PAINT GRIP

ALUMINUM/PAINTED STEEL (RIVET & CAULKED)

REV. '24